

PK 110002 SH

THE LATEST CONTROL TECHNOLOGY SET STANDARDS IN OPERATOR FRIENDLINESS AND COMFORT

LIFETIME EXCELLENCE



LIFETIME EXCELLENCE

PALFINGER loader cranes are convincing due to their superior life-cycle performance. They are the most economical and also the most reliable over the entire product life. From solution finding to resale.

- **Better solutions**
- **Better efficiency**
- **Better ergonomics**
- **Higher availability**
- **More reliability**
- **Better ecology**
- **Higher serviceability**
- **Higher value retention**



OFFERS NUMEROUS COMFORT AND SAFETY FEATURES

- Maximum utilisation of the working range due to HPSC
- More lifting power due to S-HPLS
- High degree of user-friendliness thanks to optional radio remote control
- Additional applications with Power Link Plus
- More efficiency with fly jib due to DPS Plus





PERFECT TOOL WITH SOPHISTICATED KINEMATICS

12 Highlights



Continuous slewing system

Unrestricted movement

More efficient in operation due to faster loading cycles, since the crane can be slewed over a shorter distance. The crane works more efficiently and faster.



Power Link Plus

Wide-ranging applications

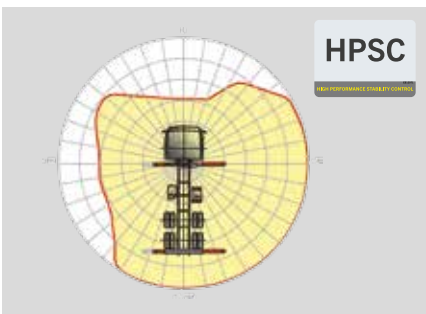
With the 10 degree reverse linkage system, you can reach through low door openings and also work inside buildings. Heavy crane work – even in difficult conditions.



High Speed Extension

For efficient assignments

The High Speed Extension speeds up the extension boom system. Crane works faster and more efficiently.



HPSC

Maximum utilisation of the working range

The variable stabiliser positioning of the High Performance Stability Control System allows the full lifting capacity of the crane to be used, even when working within tight spaces.



S-HPLS

More lifting power when it counts

S-HPLS is one of the most important functions of the PALTRONIC 150. It is a fully automatic system for increasing lifting power. The lifting power and crane speed can be continuously adapted to suit requirements.



PALcom P7

Communication with the operator

The new PALcom P7 features a modern, ergonomic design. The centrally located knob „PALdrive“ and a large colour display enables easy and safe operation.



Power Link cable winch

Improved comfort in cable winch operation

Characterised by a low installation height, it is ideal for working inside buildings and operates with the crane boom unfolded. The Comfort Cable Routing reduces set-up times to a minimum.



Integral base frame

Perfect integration

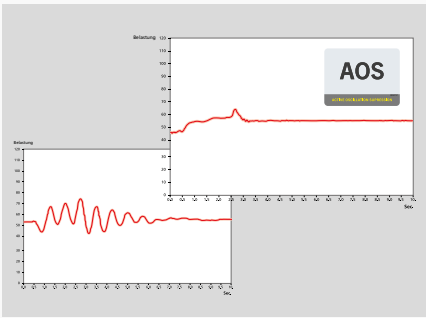
A Torsion resistant construction is possible due to an integral base frame. The low overall installation height and the weight savings allow for more efficiency in use.



Hose equipment for attachments

Versatile and user-friendly

The hose equipment offers an easy means of connecting auxiliary equipment. The hose equipment is guided in hose trays for protection.



AOS

Maximum precision and safety

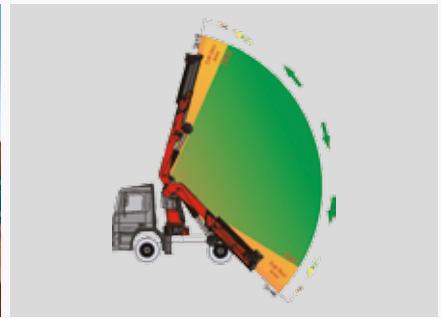
The active oscillation suppression system prevents „post-oscillation“ in the event of rapid braking or load changes. The stress peaks on the extension boom system are reduced and material fatigue and wear are minimized. This increases the resale value.



DPS Plus

More efficient fly jib operation

The Dual Power System allows multiple uses of the crane both for large outreaches as well as for heavy load operation.



Soft Stop Function

Improved comfort and safety

The Soft Stop function is an electronic limit position damper. It causes gentle braking of all crane movements before the limit position is reached. Hence, jerky movements and load impacts can be avoided. The crane can be operated more gently and precisely.



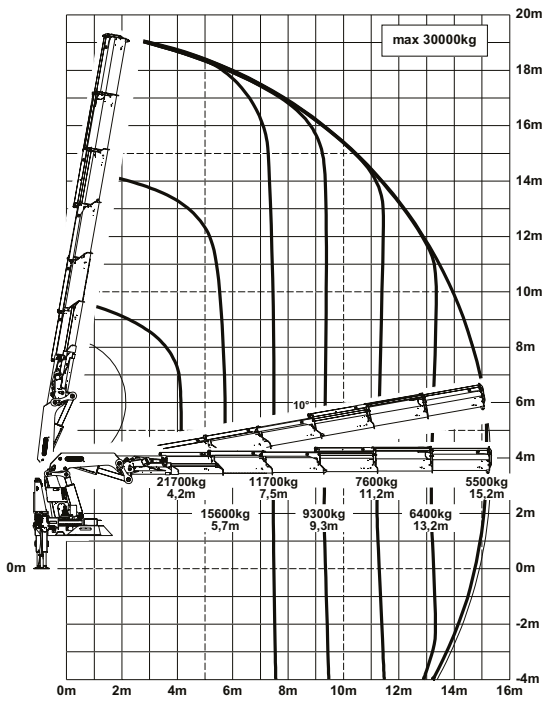
* Optional features / country-specific equipment

PK 110002 SH

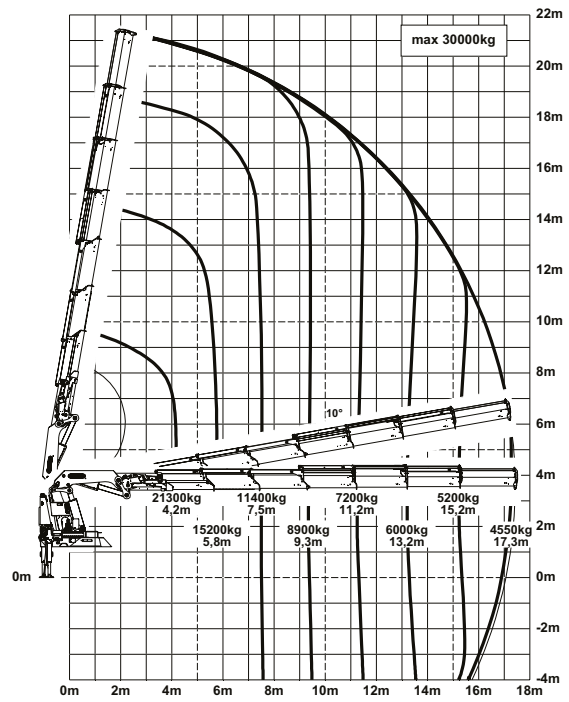
HIGH PERFORMANCE

More lifting power when it is really needed.

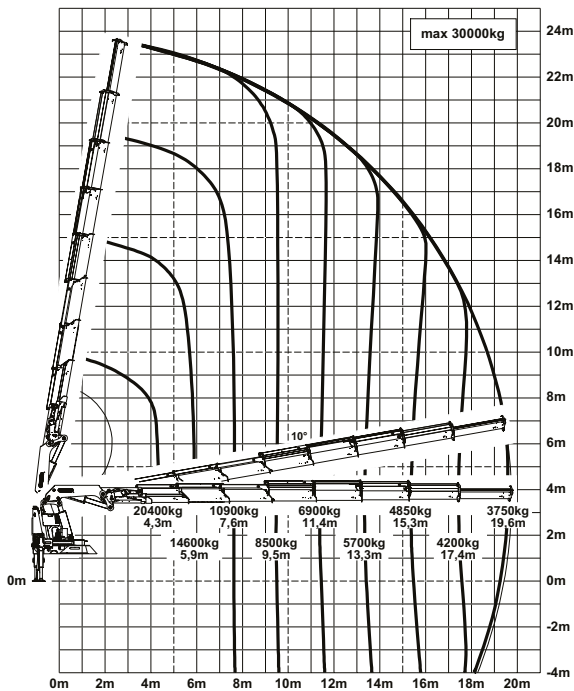
E



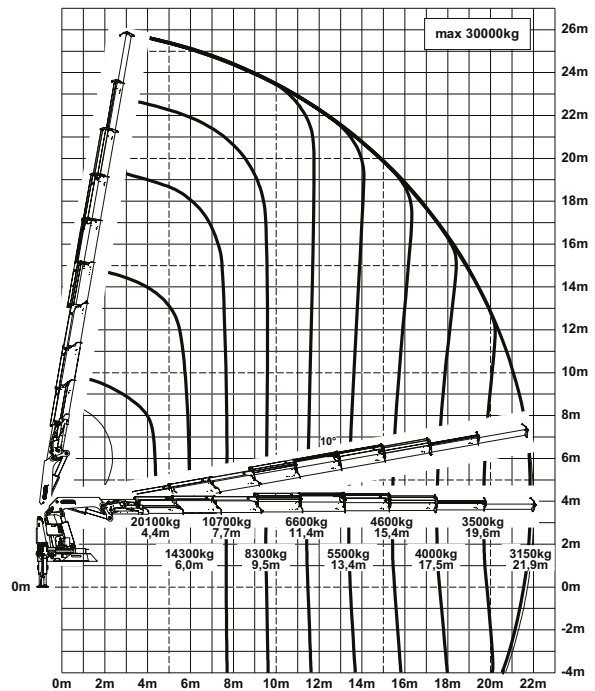
F



G



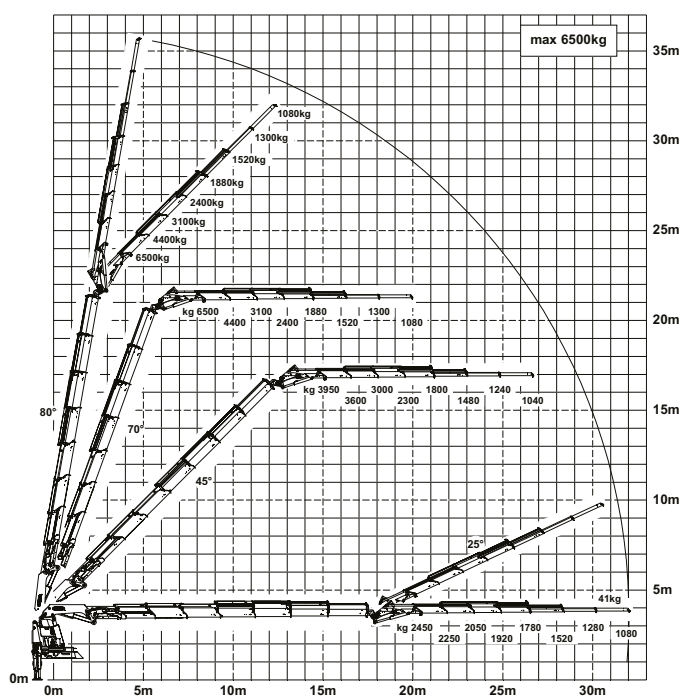
H



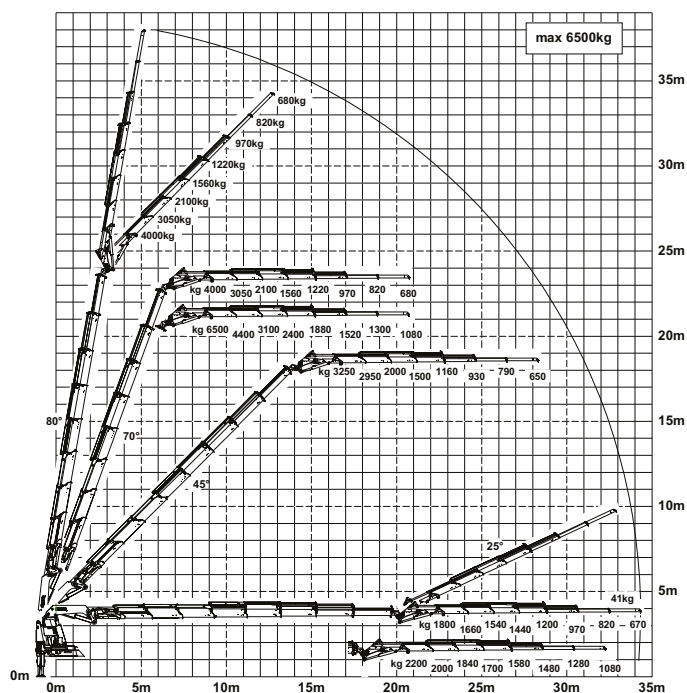
The outreaches stated are with a boom angle of 20° and are therefore not the maximum.

Lifting capacities

F PJ170E JV1



G PJ170E JV1 DPS PLUS



max.		30000 kg	66,200 lbs	B
4.0 m	13 ft	23100 kg	51,000 lbs	
5.6 m	18 ft	16800 kg	37,100 lbs	
7.4 m	24 ft	12900 kg	28,500 lbs	
9.2 m	30 ft	10400 kg	23,000 lbs	

max.		30000 kg	66,200 lbs	C
4.1 m	13 ft	22600 kg	49,900 lbs	
5.7 m	19 ft	16400 kg	36,100 lbs	
7.4 m	24 ft	12500 kg	27,600 lbs	
9.2 m	30 ft	10000 kg	22,100 lbs	
11.1 m	37 ft	8300 kg	18,400 lbs	

max.		30000 kg	66,200 lbs	D
4.1 m	13 ft	22200 kg	49,000 lbs	
5.7 m	19 ft	16000 kg	35,300 lbs	
7.4 m	24 ft	12100 kg	26,700 lbs	
9.3 m	30 ft	9600 kg	21,200 lbs	
11.2 m	37 ft	8000 kg	17,500 lbs	
13.1 m	43 ft	6800 kg	14,900 lbs	

max.		30000 kg	66,200 lbs	E
4.2 m	14 ft	21700 kg	47,800 lbs	
5.7 m	19 ft	15600 kg	34,300 lbs	
7.5 m	25 ft	11700 kg	25,900 lbs	
9.3 m	31 ft	9300 kg	20,400 lbs	
11.2 m	37 ft	7600 kg	16,700 lbs	
13.2 m	43 ft	6400 kg	14,100 lbs	
15.2 m	50 ft	5500 kg	12,200 lbs	

max.		30000 kg	66,200 lbs	F
4.2 m	14 ft	21300 kg	46,800 lbs	
5.8 m	19 ft	15200 kg	33,400 lbs	
7.5 m	25 ft	11400 kg	25,000 lbs	
9.3 m	31 ft	8900 kg	19,600 lbs	
11.2 m	37 ft	7200 kg	15,900 lbs	
13.2 m	43 ft	6000 kg	13,300 lbs	
15.2 m	50 ft	5200 kg	11,400 lbs	
17.3 m	57 ft	4550 kg	10,000 lbs	

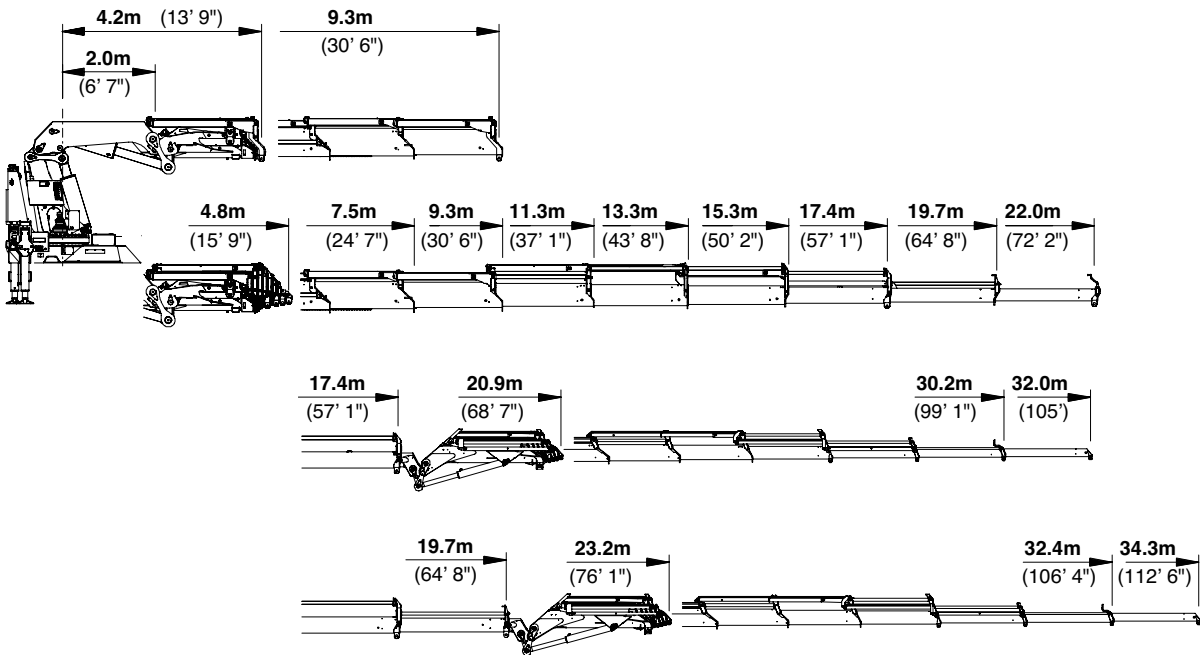
max.		30000 kg	66,200 lbs	G
4.3 m	14 ft	20400 kg	45,000 lbs	
5.9 m	19 ft	14600 kg	32,200 lbs	
7.6 m	25 ft	10900 kg	24,100 lbs	
9.5 m	31 ft	8500 kg	18,800 lbs	
11.4 m	37 ft	6900 kg	15,100 lbs	
13.3 m	44 ft	5700 kg	12,600 lbs	
15.3 m	50 ft	4850 kg	10,700 lbs	
17.4 m	57 ft	4200 kg	9,300 lbs	
19.6 m	64 ft	3750 kg	8,200 lbs	

max.		30000 kg	66,200 lbs	H
4.4 m	14 ft	20100 kg	44,200 lbs	
6.0 m	20 ft	14300 kg	31,500 lbs	
7.7 m	25 ft	10700 kg	23,500 lbs	
9.5 m	31 ft	8300 kg	18,200 lbs	
11.4 m	37 ft	6600 kg	14,600 lbs	
13.4 m	44 ft	5500 kg	12,000 lbs	
15.4 m	50 ft	4600 kg	10,200 lbs	
17.5 m	57 ft	4000 kg	8,800 lbs	
19.6 m	64 ft	3500 kg	7,700 lbs	
21.9 m	72 ft	3150 kg	6,900 lbs	

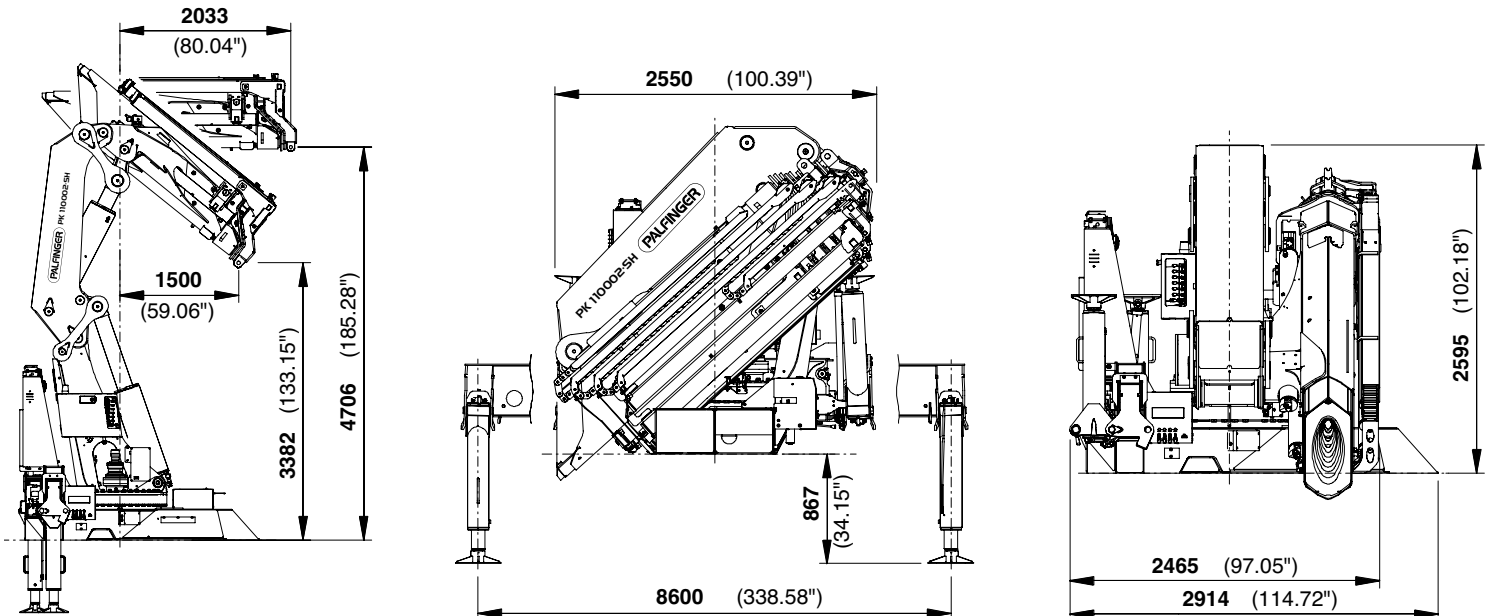
*mechanical extension

PERFECT DIMENSIONS

EXTENSION BOOM VARIATIONS



DIMENSIONS



Technical specifications

EN 12999 HC1 HD5/B3

PK 110002 SH

Max. lifting moment	98.5 mt/ 965.9 kNm	712350 ft.lbs
Max. lifting capacity	30000 kg/294.3 kN	66200 lbs
Max. hydraulic outreach	22.0 m	72' 2"
Max. manual outreach	22.0 m	72' 2"
Slewing angle	endless	
Slewing torque	9.0 mt/ 88.3 kNm	65110 ft.lbs
Stabilizer spread (std./max.)	8.6 m	28' 3"
Fitting space required (std.)	2.31 m/ 2.47 m	7' 7"/ 8' 1"
Width folded	2.55 m	8' 4"
Max. operating pressure	365 bar	5293 psi
Recommended pump capacity	from 110 l/min to 130 l/min	29.1 US gal./min 34.3 US gal./min
Dead weight (std.)	8830 kg	19470 lbs

F PJ170 E JV1

G PJ170E JV1 DPS PLUS



KP-HPK110002SM2+EN

Cranes shown in the leaflet are partially optional equipped and do not always correspond to the standard version. Country-specific regulations must be observed. Dimensions may vary. Subject to technical changes, errors and translation mistakes.