

PK 13002 | 14002 EH

RELIABLE AND VERSATILE – PERFECT PARTNER IN THE MUNICIPAL ECONOMY

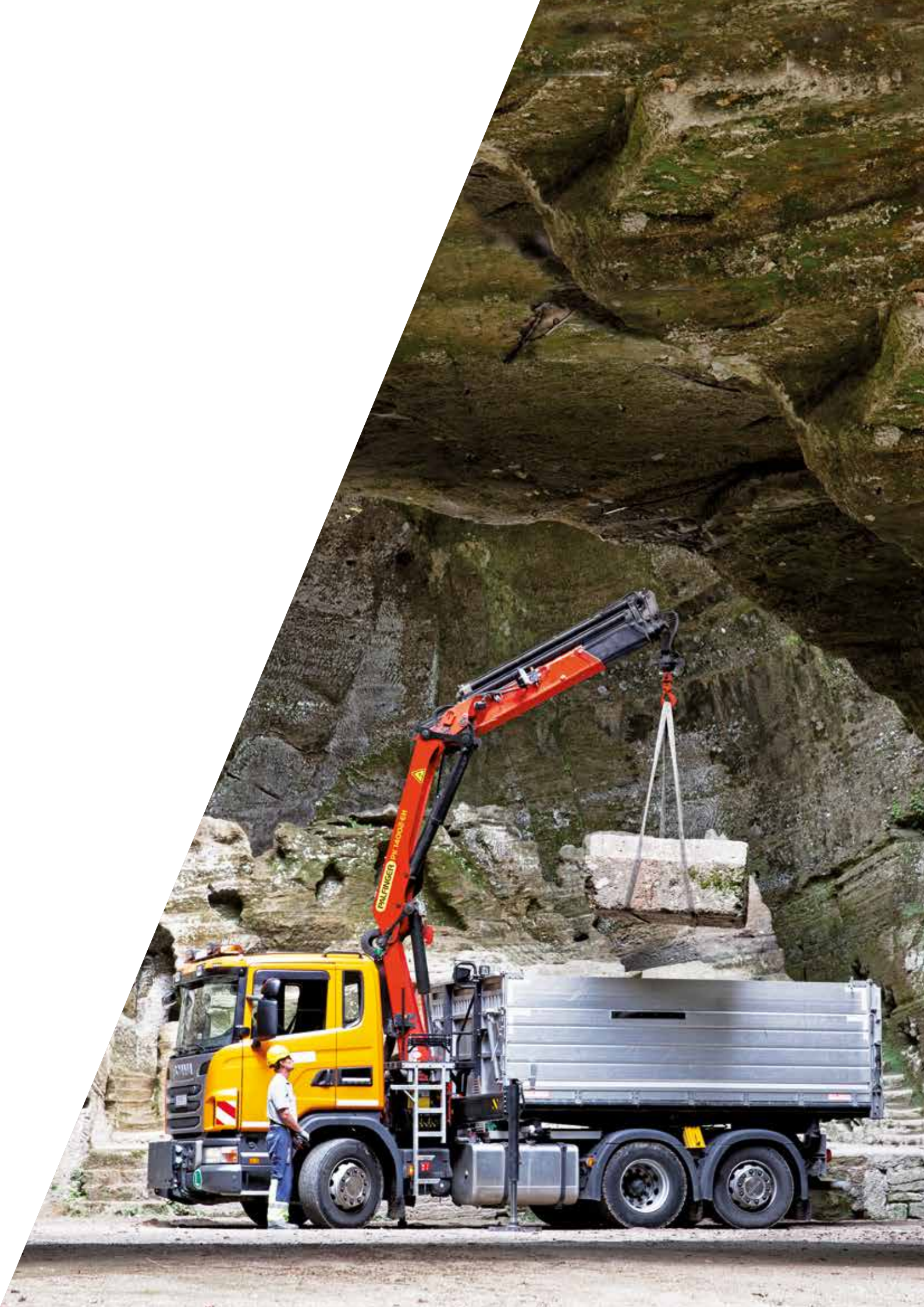
LIFETIME EXCELLENCE



LIFETIME EXCELLENCE

PALFINGER loader cranes are convincing due to their superior life-cycle performance. They are the most economical and also the most reliable over the entire product life. From solution finding to resale.

- **Better solutions**
- **Better efficiency**
- **Better ergonomics**
- **Higher availability**
- **More reliability**
- **Better ecology**
- **Higher serviceability**
- **Higher value retention**



POWER LINK PLUS. FLEXIBILITY AT IT'S BEST.

- Higher payloads due to intelligent lightweight design
- Perfect appearance and extremely high value retention thanks to coating technology
- Maximum utilisation of the working range due to HPSC
- Increase in application due to hose assembly
- More lifting power due to E-HPLS





FIRST-RATE IN DESIGN AND PERFORMANCE

12 Highlights



Power Link Plus

High variety of uses

With the 15-degree reverse linkage system, you can reach through low door openings and also work inside buildings. Heavy crane work – even in difficult conditions.



Low-maintenance extension system

Reduces service time

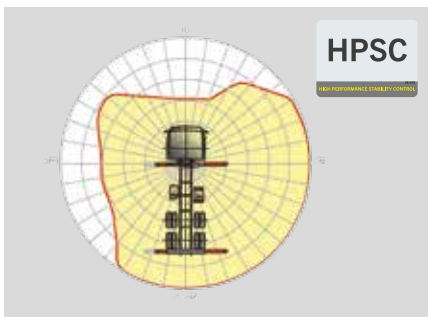
With sliding elements made of synthetic material and the high-quality KTL coating, this boom system significantly simplifies service performed by the operator. This saves time and money – and protects the environment.



High Speed Extension

For efficient assignments

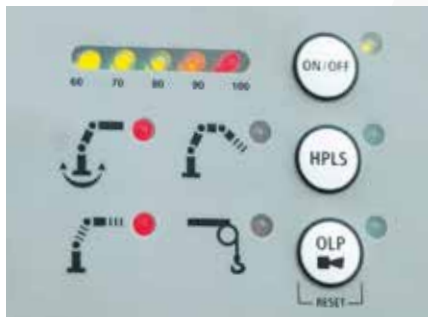
The High Speed Extension speeds up the extension boom system. Crane works faster and more efficiently.



HPSC

Maximum utilisation of the working range

The variable stabiliser positioning of the High Performance Stability Control System makes it possible to utilise the lifting capacity to the maximum. It enables working within tight spaces.



PAL 50

Comfort and safety

The PALTRONIC 50, PALFINGER offers the latest control electronics for the series production crane. The custom designed electronic operates and monitors the crane and offers more efficiency in use and safety.



Control console

All information at a glance

All important information about the crane can be seen on the main control stand. A digital indicator counts and displays the operating hours. Ergonomic control levers and the optional lighting package provide increased safety and comfort even in poor visibility conditions.



Coating technology

Top quality surface protection at a glance

The KTL coating lays the foundation for a perfect surface protection. Afterwards the components are either coated in the powder-coating facility or are finished with a two-components-topcoat. High value retention and excellent corrosion protection for the whole life of a crane.



Functional design

Practical and attractive

Robust plastic covers protect crane parts against dirt and damage. Better appearance and increased operational comfort – during the entire lifetime.



Radio remote control

Dialogue with the operator

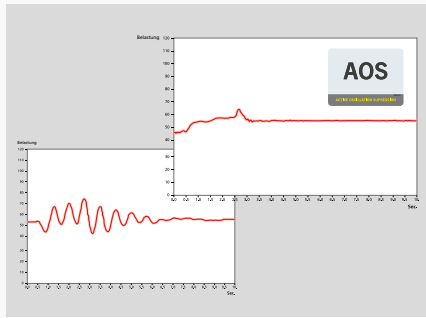
PALFINGER radio remote controls are equipped with linear lever or cross lever and provide the greatest possible comfort for the operator. All EH models with LED-Display inform the crane operator



Hose equipment for attachments

Versatile and user-friendly

The hose equipment offers an easy means of connecting auxiliary equipment. The hose equipment is guided in hose trays for protection.



AOS

Maximum precision and safety

The active oscillation suppression system prevents „post-oscillation“ in the event of rapid braking or load changes. The stress peaks on the extension boom system are reduced and material fatigue and wear are minimised. This increases the resale value.



Lighting package*

More crane safety particularly at dusk and dark

LEDs which backlight the control panel make it easier to read off the crane functions and provide the crane operator with a quick overview of the entire panel during the working process. LED warning lights in the supporting cylinders mean greater safety for crane operator and passers-by.



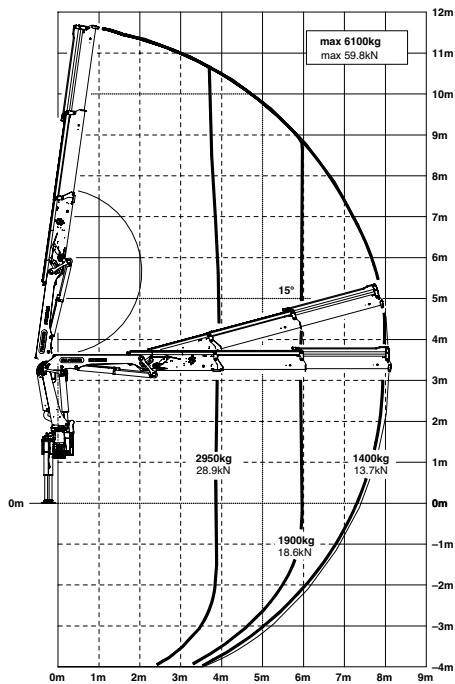
*Optional features / country-specific equipment

PK 13002

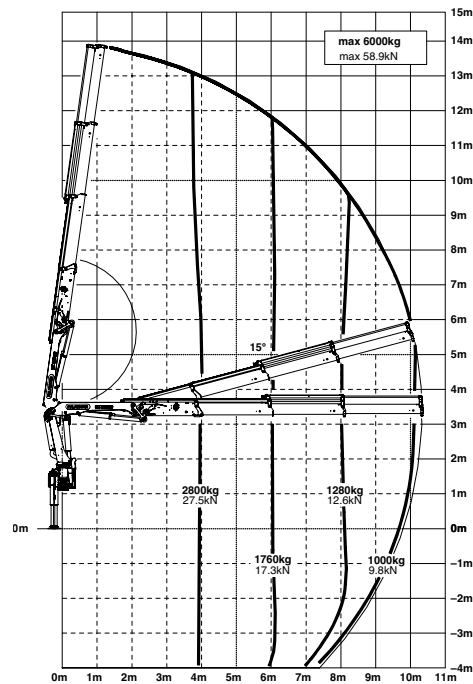
HIGH PERFORMANCE

Outstanding power to weight ratio.

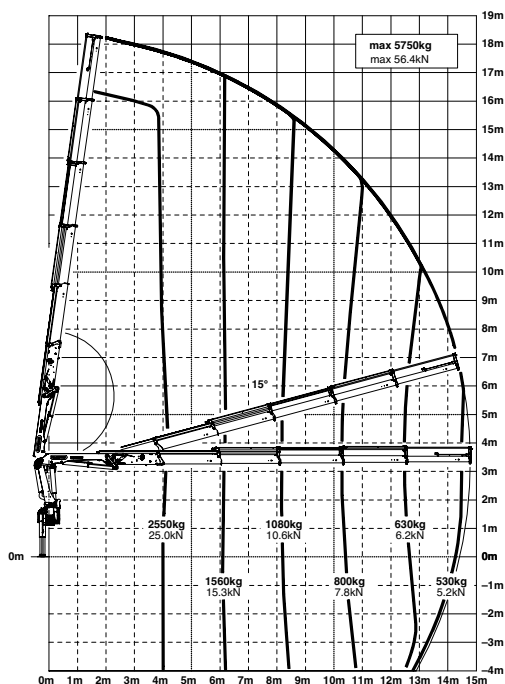
A



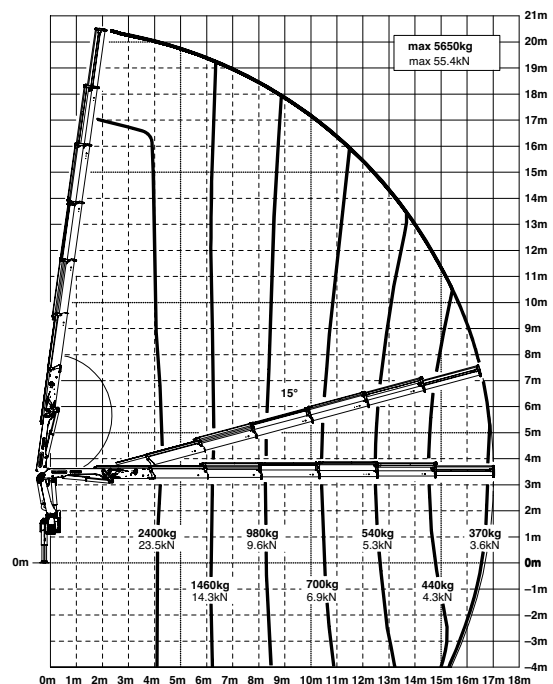
B



D



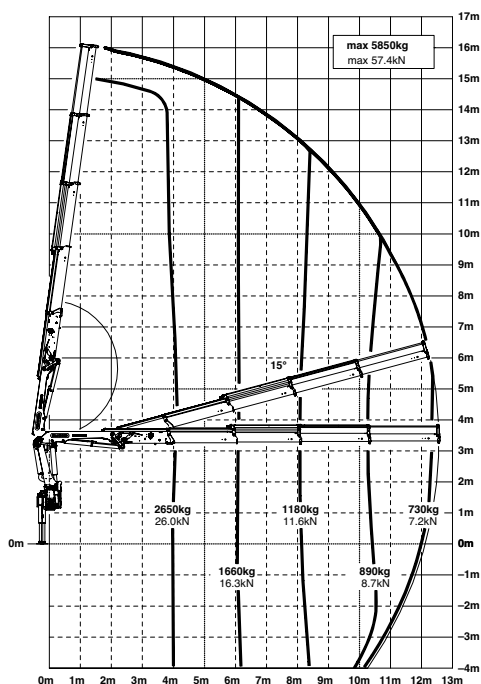
E



The outreaches stated are with a boom angle of 20° and are therefore not the maximum.

Lifting capacities

C



max.		6100 kg	13440 lbs	A
3.9 m	12' 10"	2950 kg	6500 lbs	
5.9 m	19' 4"	1900 kg	4200 lbs	
7.9 m	25' 11"	1400 kg	3100 lbs	

max.		6000 kg	13200 lbs	B
4.0 m	13' 1"	2800 kg	6100 lbs	
6.0 m	19' 8"	1760 kg	3900 lbs	
8.0 m	26' 3"	1280 kg	2850 lbs	
10.1 m	33' 2"	1000 kg	2200 lbs	
12.4 m*	40' 8"	740 kg	1630 lbs	
14.6 m*	47' 11"	570 kg	1260 lbs	

max.		5850 kg	12890 lbs	C
4.1 m	13' 5"	2650 kg	5900 lbs	
6.1 m	20' 0"	1660 kg	3650 lbs	
8.1 m	26' 7"	1180 kg	2600 lbs	
10.2 m	33' 6"	890 kg	1960 lbs	
12.4 m	40' 8"	730 kg	1600 lbs	
14.6 m*	47' 11"	560 kg	1240 lbs	
16.8 m*	55' 1"	440 kg	970 lbs	

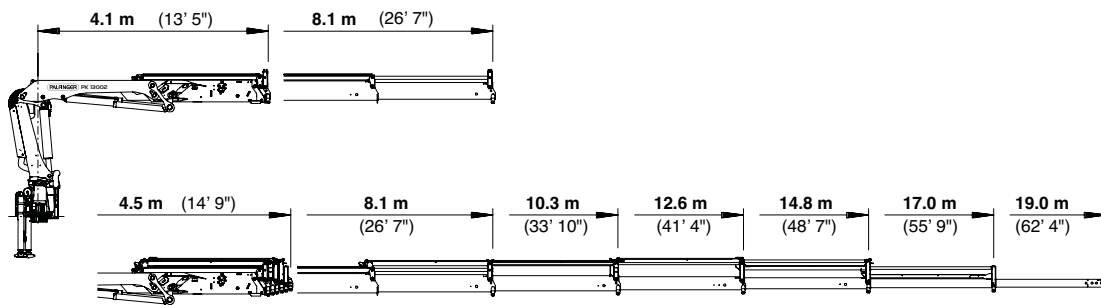
max.		5750 kg	12670 lbs	D
4.2 m	13' 9"	2550 kg	5600 lbs	
6.2 m	20' 4"	1560 kg	3450 lbs	
8.2 m	26' 11"	1080 kg	2400 lbs	
10.3 m	33' 10"	800 kg	1760 lbs	
12.5 m	41' 0"	630 kg	1400 lbs	
14.6 m	47' 11"	530 kg	1160 lbs	
16.8 m*	55' 1"	410 kg	900 lbs	
18.8 m*	61' 8"	340 kg	750 lbs	

max.		5650 kg	12450 lbs	E
4.3 m	14' 1"	2400 kg	5300 lbs	
6.3 m	20' 8"	1460 kg	3200 lbs	
8.3 m	27' 3"	980 kg	2150 lbs	
10.4 m	34' 1"	700 kg	1540 lbs	
12.6 m	41' 4"	540 kg	1180 lbs	
14.7 m	48' 3"	440 kg	960 lbs	
16.8 m	55' 1"	370 kg	820 lbs	
18.9 m*	62' 0"	300 kg	660 lbs	

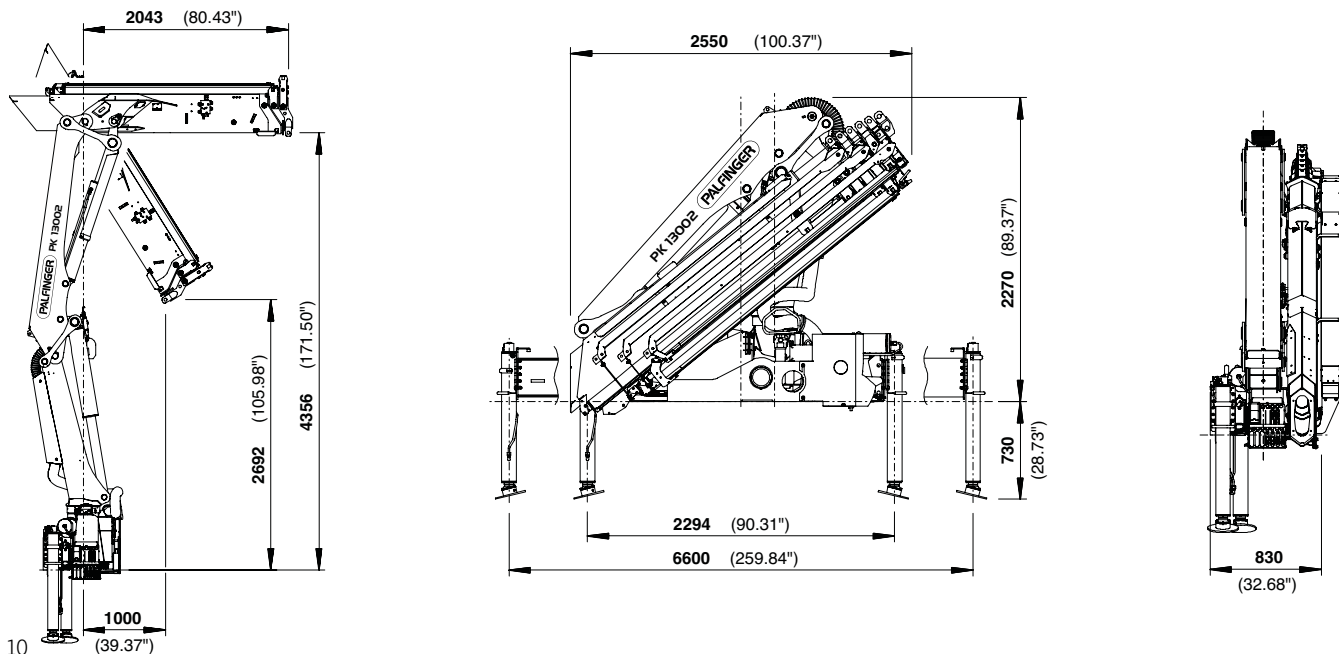
*mechanical extension

PERFECT DIMENSIONS

EXTENSION BOOM VARIATIONS



DIMENSIONS



Technical specifications

EN 12999 HC1 HD4/B3

PK 13002

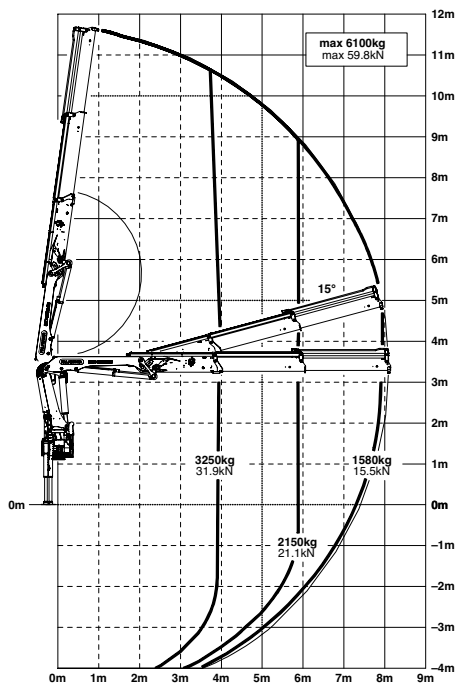
Max. lifting moment	12.0 mt/117.7 kNm	86780 ft.lbs
Max. lifting capacity	6200 kg/60.8 kN	13670 lbs
Max. hydraulic outreach	17.0 m	55' 9"
Max. manual outreach	19.0 m	62' 4"
Slewing angle	420°	
Slewing torque	1.6 mt/15.7 kNm	11580 ft.lbs
Stabiliser spread (std./max.)	5.0 m / 6.6 m	16' 5" / 21' 8"
Fitting space required (std.)	0.83 m	2' 9"
Width folded	2.51 m	8' 3"
Max. operating pressure	320 bar	4640 psi
Recommended pump capacity	from 35 l/min to 50 l/min	9.2 US gal./min 13.2 US gal./min
Dead weight (std.)	1764 kg	3890 lbs

PK 14002 EH

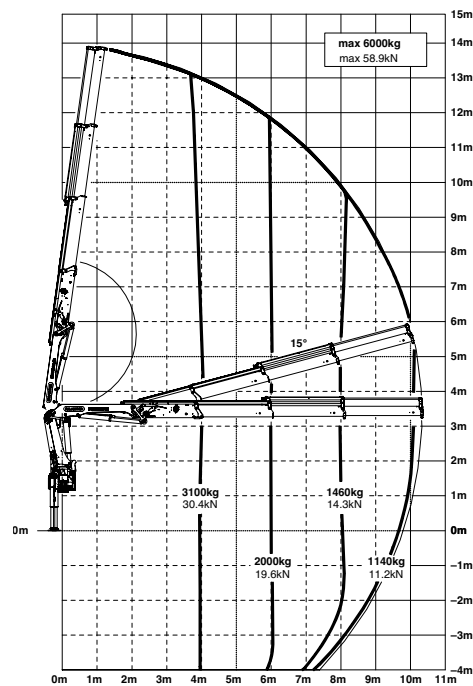
HIGH PERFORMANCE

A synergy of function and design.

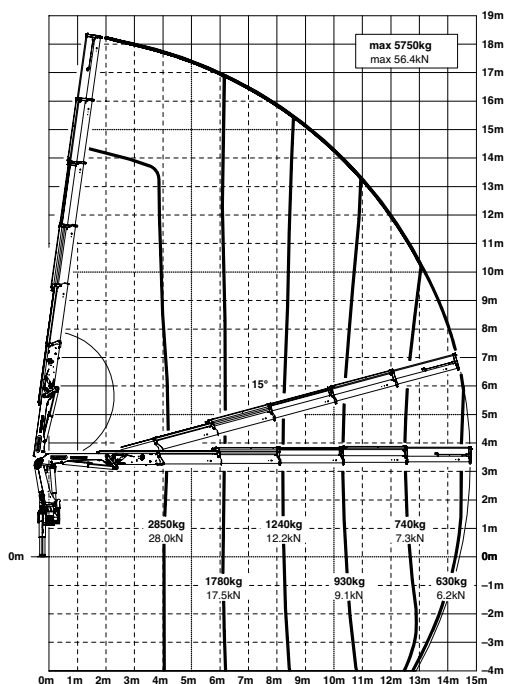
A



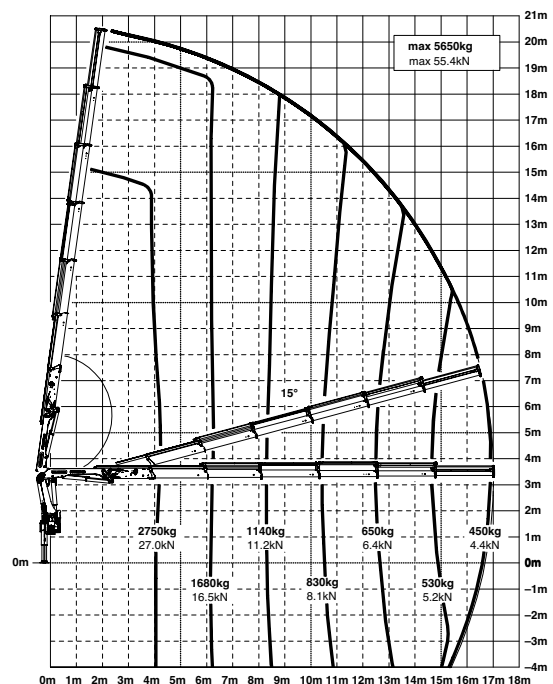
B



D



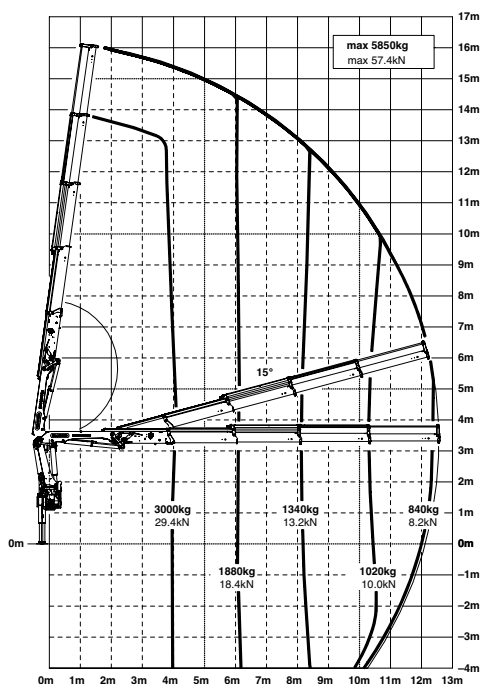
E



The outreaches stated are with a boom angle of 20° and are therefore not the maximum.

Lifting capacities

C



max.		6100 kg	13440 lbs	A
3.9 m	12' 10"	3250 kg	7200 lbs	
5.9 m	19' 4"	2150 kg	4700 lbs	
7.9 m	25' 11"	1580 kg	3500 lbs	

max.		6000 kg	13200 lbs	B
4.0 m	13' 1"	3100 kg	6900 lbs	
6.0 m	19' 8"	2000 kg	4400 lbs	
8.0 m	26' 3"	1460 kg	3200 lbs	
10.1 m	33' 2"	1140 kg	2500 lbs	
12.4 m*	40' 8"	860 kg	1900 lbs	
14.6 m*	47' 11"	670 kg	1480 lbs	

max.		5850 kg	12890 lbs	C
4.1 m	13' 5"	3000 kg	6600 lbs	
6.1 m	20' 0"	1880 kg	4150 lbs	
8.1 m	26' 7"	1340 kg	2950 lbs	
10.2 m	33' 6"	1020 kg	2250 lbs	
12.4 m	40' 8"	840 kg	1840 lbs	
14.6 m*	47' 11"	660 kg	1460 lbs	
16.8 m*	55' 1"	530 kg	1170 lbs	

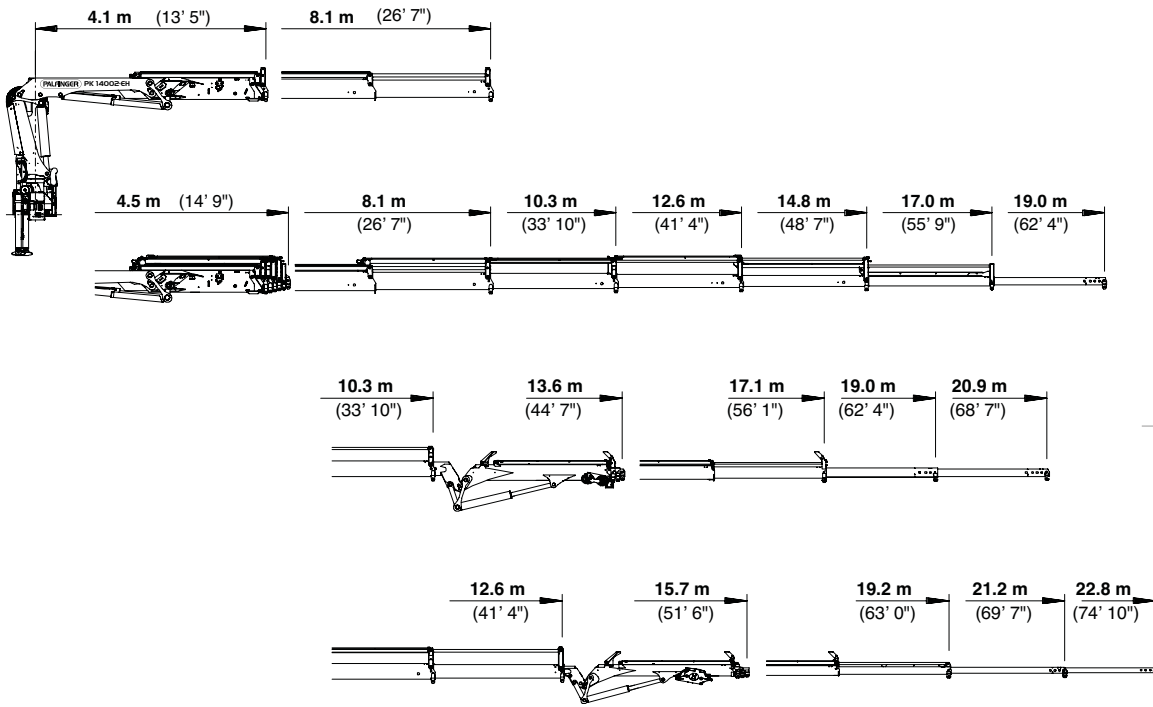
max.		5750 kg	12670 lbs	D
4.2 m	13' 9"	2850 kg	6300 lbs	
6.2 m	20' 4"	1780 kg	3900 lbs	
8.2 m	26' 11"	1240 kg	2750 lbs	
10.3 m	33' 10"	930 kg	2050 lbs	
12.5 m	41' 0"	740 kg	1640 lbs	
14.6 m	47' 11"	630 kg	1380 lbs	
16.8 m*	55' 1"	500 kg	1100 lbs	
18.8 m*	61' 8"	410 kg	900 lbs	

max.		5650 kg	12450 lbs	E
4.3 m	14' 1"	2750 kg	6000 lbs	
6.3 m	20' 8"	1680 kg	3700 lbs	
8.3 m	27' 3"	1140 kg	2550 lbs	
10.4 m	34' 1"	830 kg	1840 lbs	
12.6 m	41' 4"	650 kg	1420 lbs	
14.7 m	48' 3"	530 kg	1160 lbs	
16.8 m	55' 1"	450 kg	1000 lbs	
18.9 m*	62' 0"	370 kg	820 lbs	

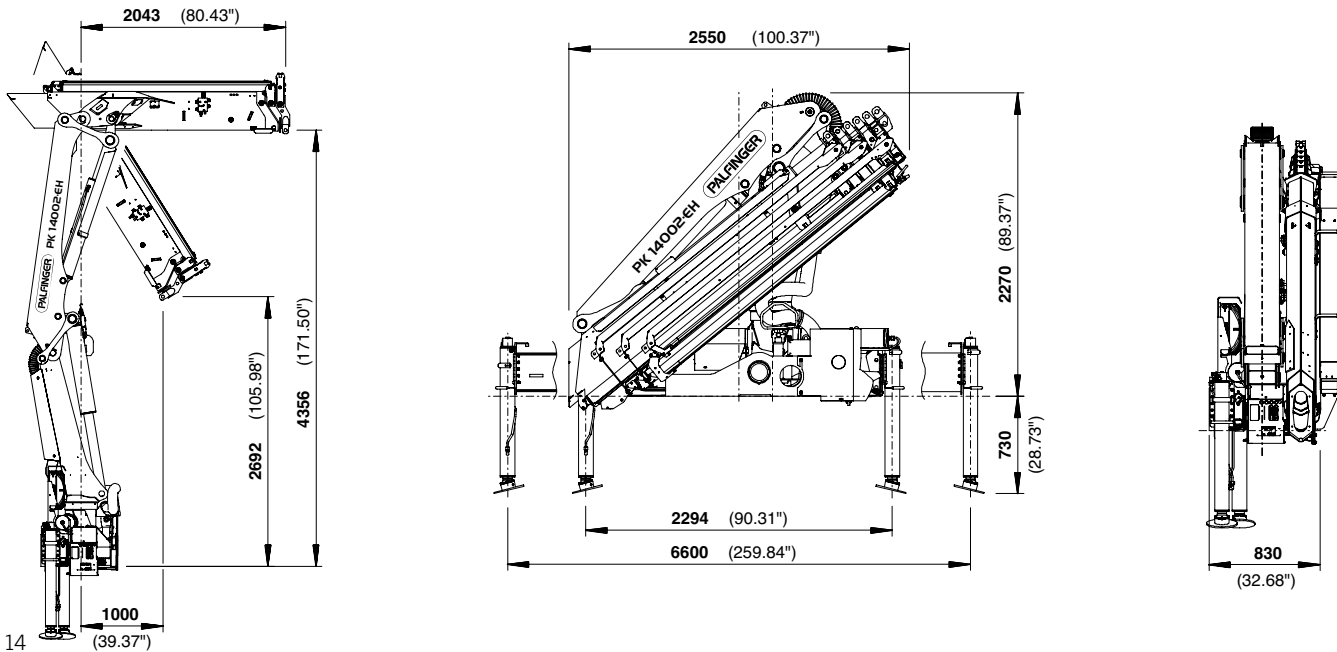
*mechanical extension

PERFECT DIMENSIONS

EXTENSION BOOM VARIATIONS



DIMENSIONS



Technical specifications

EN 12999 HC1 HD4/B3

PK 14002 EH

Max. lifting moment	13.4 mt/131.0 kNm	96590 ft.lbs
Max. lifting capacity	6200 kg/60.8 kN	13670 lbs
Max. hydraulic outreach	17.0 m	55' 9"
Max. manual outreach	19.0 m	62' 4"
max. outreach (with fly-jib)	23.0 m	75' 6"

Slewing angle	420°	
---------------	------	--

Slewing torque	1.6 mt/15.7 kNm	11580 ft.lbs
----------------	-----------------	--------------

Stabiliser spread (std./max.)	5.0 m / 6.6 m	16' 5" / 21' 8"
-------------------------------	---------------	-----------------

Fitting space required (std.)	0.83 m	2' 9"
-------------------------------	--------	-------

B PJ060A JV2

Width folded	2.51 m	8' 3"
--------------	--------	-------

Max. operating pressure	350 bar	5075 psi
-------------------------	---------	----------

Recommended pump capacity	from 50 l/min to 70 l/min	13.2 US gal./min 18.5 US gal./min
---------------------------	------------------------------	--------------------------------------

Dead weight (std.)	1789 kg	3940 lbs
--------------------	---------	----------

C PJ040A JV2

Package model

- E-HPLS
- Paltronic 50
- Radio remote control with LED display
- Danfoss control valve or PVG2000
- 8.5 kW oil cooler
- 140 l oil tank



KP-H13/14002EM3+EN

Cranes shown in the leaflet are partially optional equipped and do not always correspond to the standard version. Country-specific regulations must be observed. Dimensions may vary. Subject to technical changes, errors and translation mistakes.