

**PK 20.501L TEC 3 | PK 22.001L TEC 7
PK 23.001L TEC 3 | PK 26.001L TEC 7**

HIGH OUTREACH AND HIGH OPERATING SPEED ENSURE EFFICIENT HANDLING OF CON- STRUCTION MATERIAL

LIFETIME EXCELLENCE



LIFETIME EXCELLENCE

PALFINGER loader cranes are convincing due to their superior life-cycle performance. They are the most economical and also the most reliable over the entire product life. From solution finding to resale.

- **Better solutions**
- **Better efficiency**
- **Better ergonomics**
- **Higher availability**
- **More reliability**
- **Better ecology**
- **Higher serviceability**
- **Higher value retention**



PALFINGER

PK 62.500L 7002

SCHLAGMANN
POROTON
Dübel-Drillbohrer
SCHLAGMANN
POROTON
Dübel-Drillbohrer

MAXIMISED OPERATING COMFORT & HIGH SERVICE FRIENDLINESS

- Maximum radius of action thanks to slewing angle of 440 degrees
- Reduced maintenance and optimized lubrication of the slewing mechanism thanks to an oil bath right up to the head bearing
- Avoiding damage of the hydraulic hoses and compact set-up dimensions thanks to the new internal hose guiding system
- Excellent visibility and high operator comfort thanks to new top seat with new joystick control
- More lifting capacity thanks to S-HPLS and high operator friendliness thanks to PALcom P7 (PK 22.001L TEC 7 and PK 26.001L TEC 7)
- High payload thanks to low dead weight

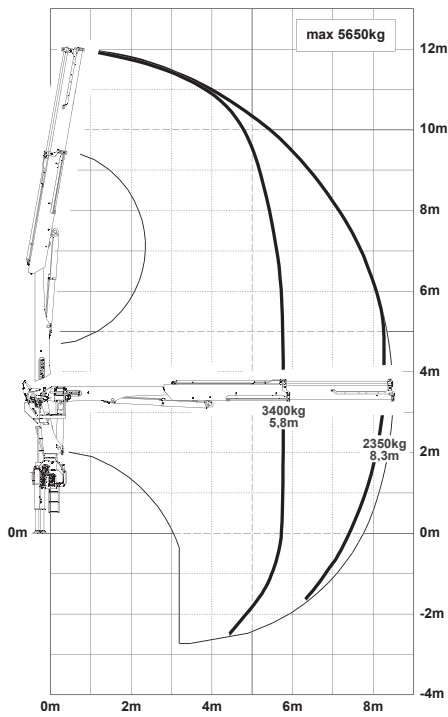




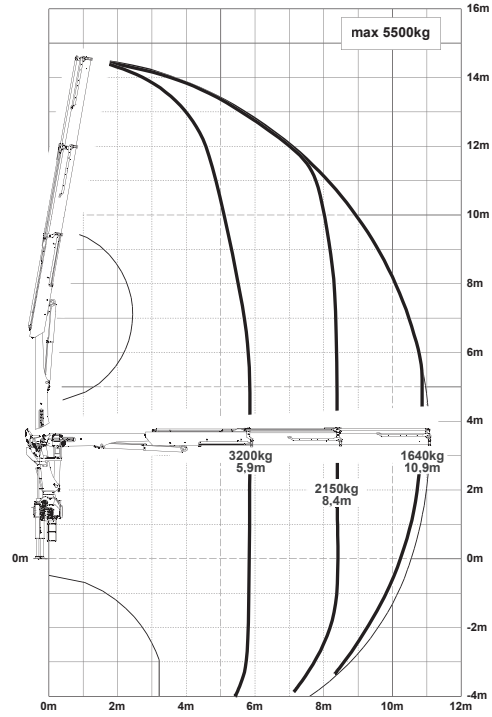
PK 20.501L TEC 3

HIGH PERFORMANCE

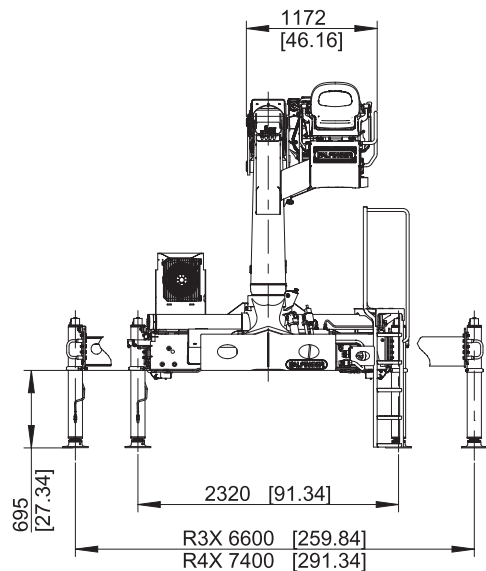
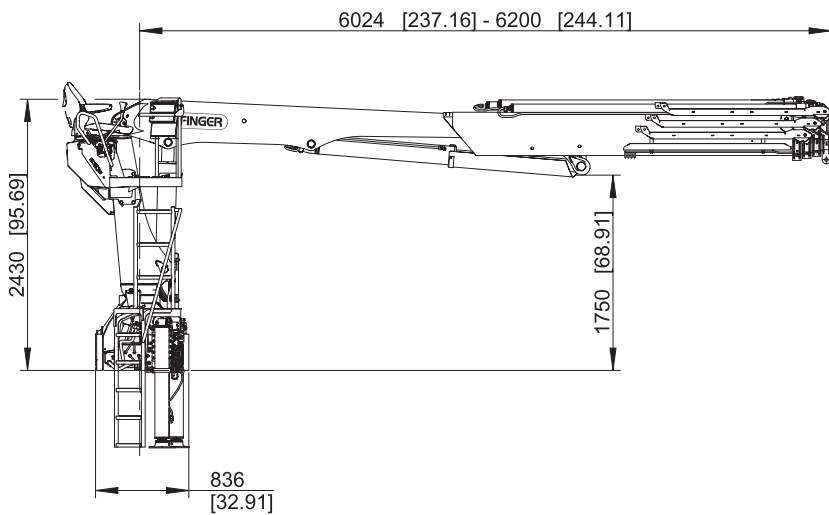
STD SL4



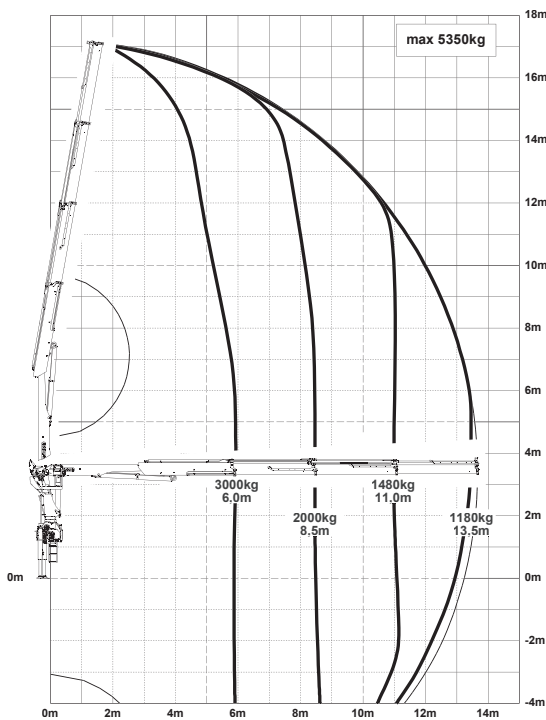
A SL4



DIMENSIONS



B SL4



Technical specifications EN 12999 HC1 HD4/S2

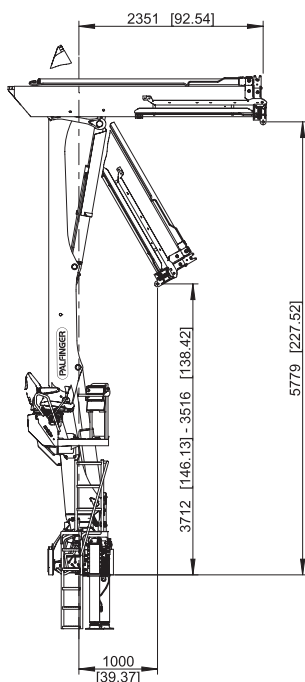
Max. lifting moment	19.7 mt / 193.6 kNm	142,780 ft.lb
Max. lifting capacity	5650 kg / 55.4 kN	12,460 lb
Max. hydraulic outreach	13.7 m	44' 11"
Slewing angle	440°	
Slewing torque	2.3 mt / 22.6 kNm	16,670 ft.lb
Stabiliser spread (std./max.)	6.6 m / 7.4 m	21' 8" / 24' 3"
Max. operating pressure	340 bar	4,930 psi
Recommended pump capacity		
Top seat RSQ240	from 50 l/min to 70 l/min	13.2 US gpm 18.5 US gpm
Top seat RSQ240 LS	from 65 l/min to 90 l/min	17.2 US gpm 23.8 US gpm
Top seat PVG32 LS	from 85 l/min to 110 l/min	22.5 US gpm 29.1 US gpm
Dead weight (STD SL4 R3X STZS3)	2400 kg	5,290 lb

Lifting capacities

max.		5650 kg / 55.4 kN	12,460 lb	STD SL4
5.8 m	19 ft	3400 kg / 33.4 kN	7,500 lb	
8.3 m	27 ft	2350 kg / 23.1 kN	5,100 lb	

max.		5500 kg / 54.0 kN	12,100 lb	A SL4
5.9 m	19 ft	3200 kg / 31.4 kN	7,000 lb	
8.4 m	27 ft	2150 kg / 21.1 kN	4,750 lb	
10.9 m	36 ft	1640 kg / 16.1 kN	3,600 lb	

max.		5350 kg / 52.5 kN	11,800 lb	B SL4
6.0 m	20 ft	3050 kg / 29.9 kN	6,700 lb	
8.5 m	28 ft	2000 kg / 19.6 kN	4,400 lb	
11.0 m	36 ft	1480 kg / 14.5 kN	3,250 lb	
13.5 m	44 ft	1180 kg / 11.6 kN	2,600 lb	

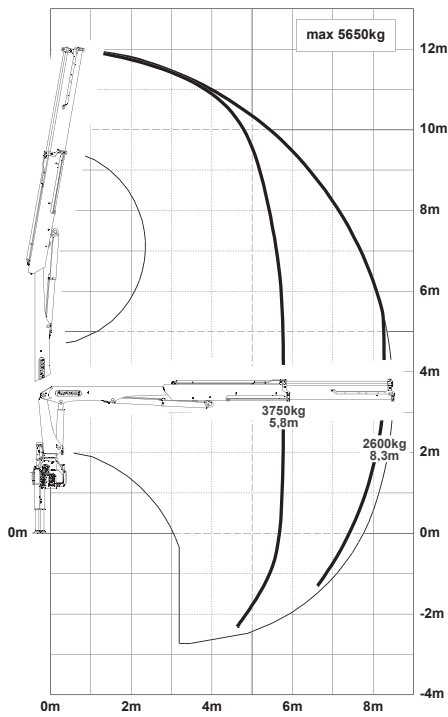


*Optional features / country-specific equipment

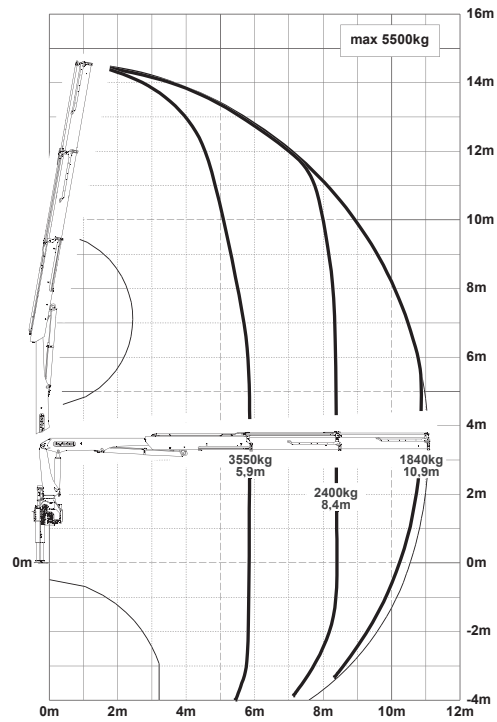
PK 22.001L TEC 7

HIGH PERFORMANCE

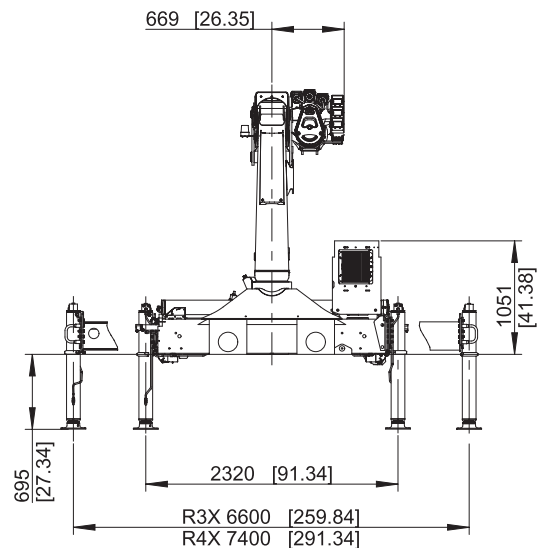
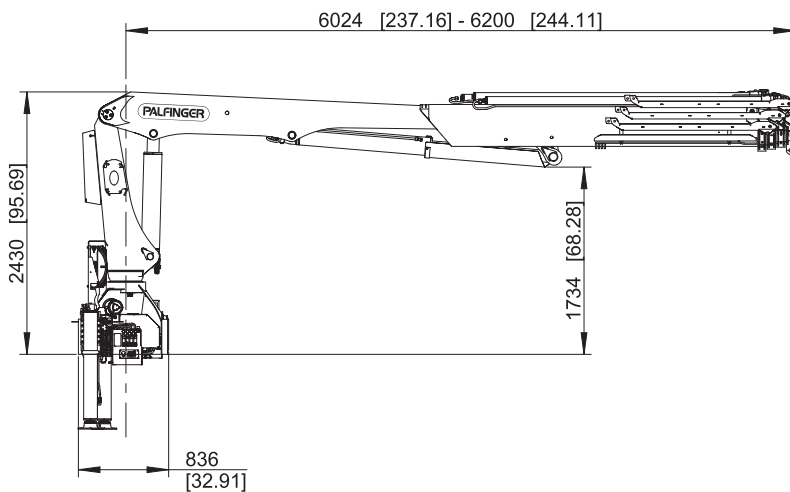
STD SL4



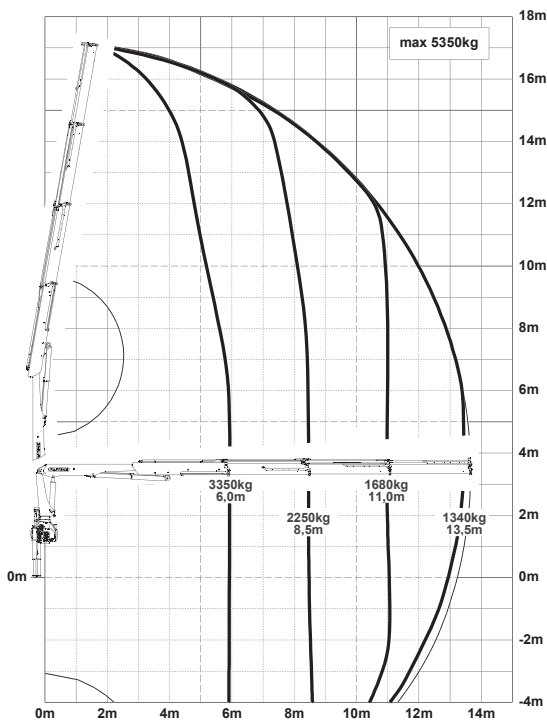
A SL4



DIMENSIONS



B SL4



Technical specifications EN 12999 HC1 HD4/S2

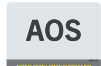
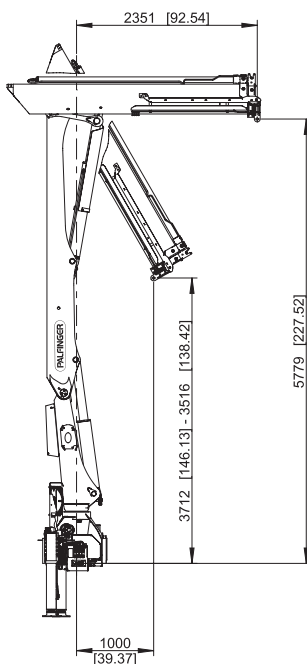
Max. lifting moment	21.8 mt/214.0 kNm	157,825 ft.lb
Max. lifting capacity	5650 kg/55.4 kN	12,460 lb
Max. hydraulic outreach	13.7 m	44' 11"
Slewing angle	440°	
Slewing torque	2.6 mt/25.5 kNm	18,800 ft.lb
Stabiliser spread (std./max.)	6.6 m/7.4 m	21' 8"/ 24' 3"
Max. operating pressure	370 bar	5,365 psi
Recommended pump capacity		
Radio PVG32 LS	from 85 l/min to 110 l/min	22.5 US gpm 29.1 US gpm
Dead weight (STD SL4 R3X STZS3)	2315 kg	5,100 lb

Lifting capacities

max.		5650 kg / 55.4 kN	12,460 lb	STD SL4
5.8 m	19 ft	3750 kg / 36.8 kN	8,300 lb	
8.3 m	27 ft	2600 kg / 25.5 kN	5,700 lb	

max.		5500 kg / 54.0 kN	12,100 lb	A SL4
5.9 m	19 ft	3550 kg / 34.8 kN	7,800 lb	
8.4 m	27 ft	2400 kg / 23.5 kN	5,300 lb	
10.9 m	36 ft	1840 kg / 18.1 kN	4,050 lb	

max.		5350 kg / 52.5 kN	11,800 lb	B SL4
6.0 m	20 ft	3400 kg / 33.4 kN	7,500 lb	
8.5 m	28 ft	2250 kg / 22.1 kN	5,000 lb	
11.0 m	36 ft	1680 kg / 16.5 kN	3,700 lb	
13.5 m	44 ft	1340 kg / 13.1 kN	2,950 lb	



*Optional features / country-specific equipment

FIRST-RATE IN DESIGN AND PERFORMANCE

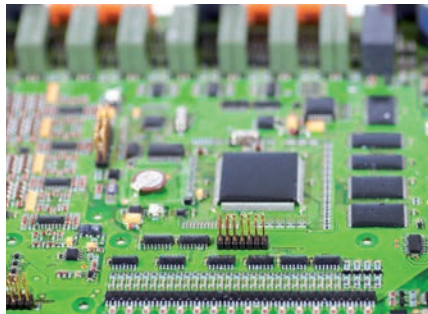
14 Highlights



P-Profile

Increase in stability and reduction in weight

The high level of stability enables fast, high-precision movement. This prevents damage and saves working time. The extension system is designed to be low-maintenance and requires very little servicing.



S-HPLS / Soft Stop

More comfort and safety

S-HPLS is a fully automatic system for increasing the lifting power. Depending on the need, there is continuous adaptation of the lifting power and speed of the crane. The soft stop function causes gentle braking of all crane movements before the limit position is reached. Hence, jerky movements and load impacts can be avoided (for TEC 7 models).



PALcom P7

Communication with the operator

The new PALcom P7 features a modern, ergonomic design. The centrally located knob „PALdrive“ and a large colour display enables easy and safe operation (for TEC 7 models).



Oil bath

Optimum lubrication

The oil bath ensures permanent lubrication. This considerably reduces the maintenance requirements involved in lubricating the crane column and minimises friction.



Right knuckle boom offset

Improved view of load

Thanks to the right knuckle boom offset, the crane operator has a good view of the knuckle boom, hose equipment and the load.



HPSC

Maximum utilisation of the working range

The variable stabiliser positioning of the High Performance Stability Control System allows the full lifting capacity of the crane to be used, even when working within tight spaces.



Internal hose routing system through the column

Prevention of damage

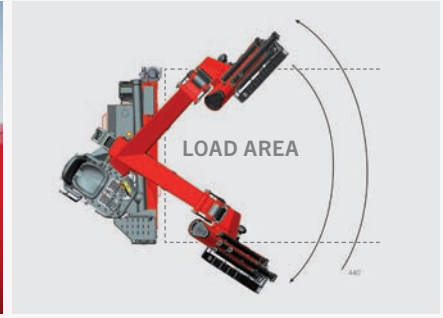
In L-series cranes, the hydraulic hoses are located inside the crane column. This prevents damage and ensures a compact design.



Work light

Optimum view

An optional LED or halogen work light ensures an optimum view in the loading area.



Slewing angle

Maximum operating range

The slewing angle of 440 degrees and a the middle crane column enables the maximum operating range and an optimized weight distribution.



Loading height

Efficient loading

Thanks to the very good loading height in close range and the slewing angle of 440 degrees, the crane can unload pallets on the entire loading area.



Top seat and ergonomic ladder

High operator comfort

Special top seat for cranes in the building material business providing excellent visibility and easy operation. Ergonomic ladder.



Acknowledge button

Safe operation

An acknowledge button for the brick stack grab can be optionally integrated in the grip of the control lever. This prevents unintentional opening of the brick stack grab.



Transport lock

Efficient and simple

The lever locks the hand lever. This ensures that no vibrations are transmitted to the control valve during transport.



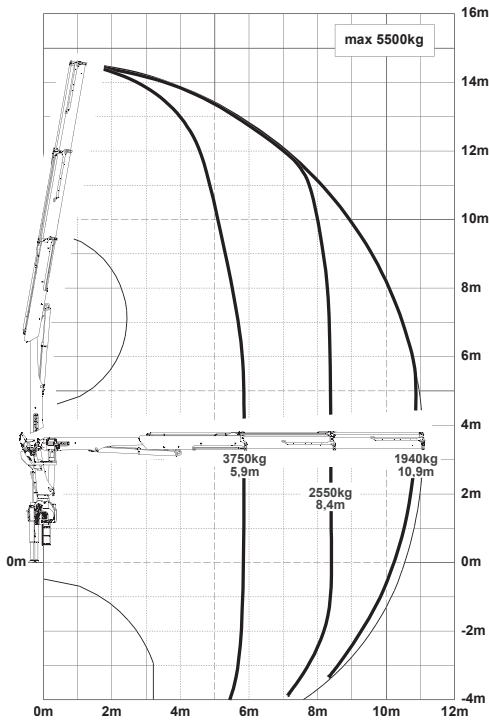
Rain cover

Optimum protection

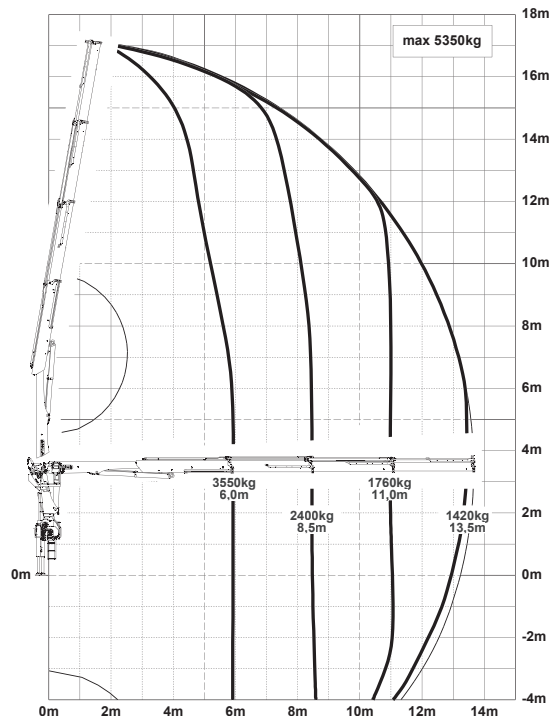
A rain cover for the top seat protects against dirt, rain and snow when the crane is in transport position. It is integrated in the backrest as standard.

HIGH PERFORMANCE

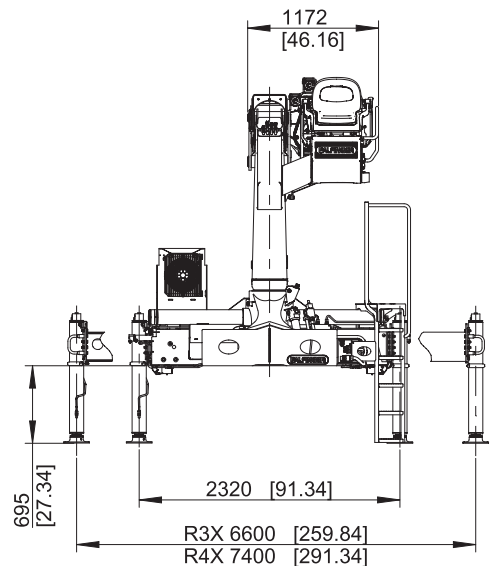
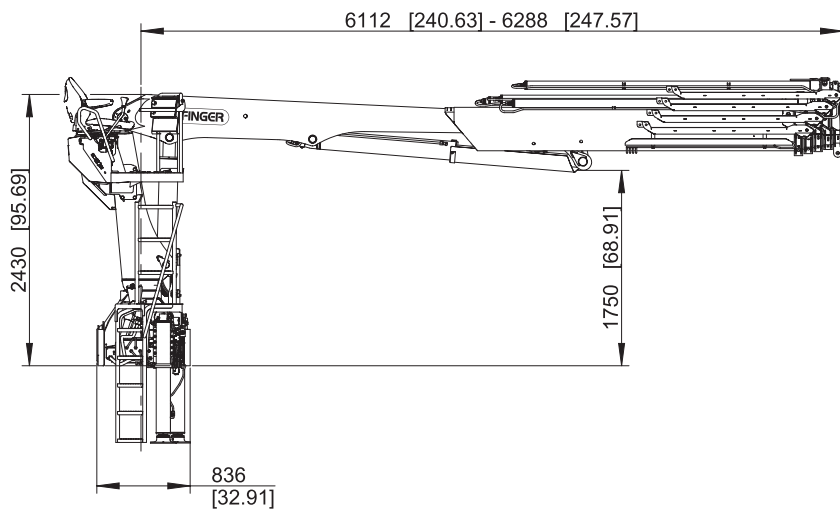
A SL4



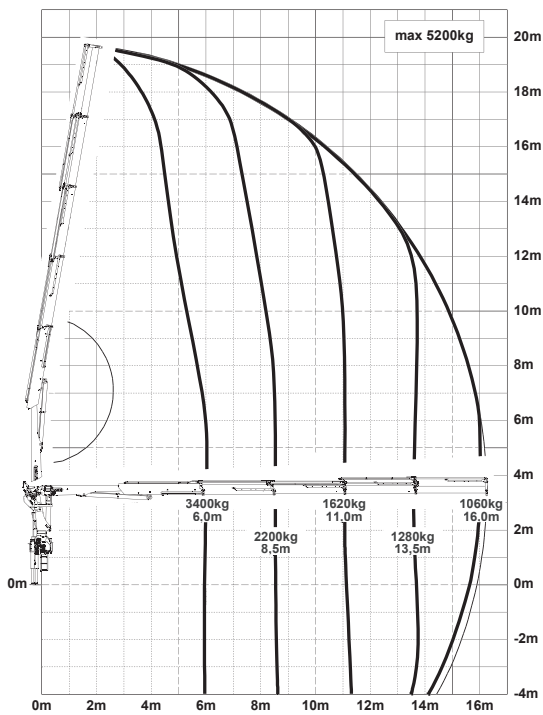
B SL4



DIMENSIONS



C SL4



Technical specifications EN 12999 HC1 HD4/S2

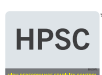
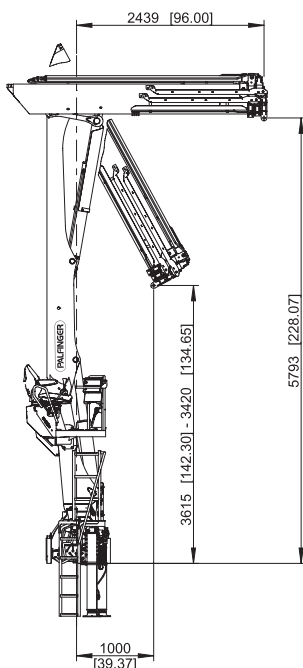
Max. lifting moment	22.9 mt / 224.7 kNm	165,670 ft.lb
Max. lifting capacity	5650 kg / 55.4 kN	12,460 lb
Max. hydraulic outreach	16.3 m	53' 4"
Slewing angle	440°	
Slewing torque	2.7 mt / 26.5 kNm	19,530 ft.lb
Stabiliser spread (std./max.)	6.6 m / 7.4 m	21' 8" / 24' 3"
Max. operating pressure	340 bar	4,930 psi
Recommended pump capacity		
Top seat RSQ240	from 50 l/min to 70 l/min	13.2 US gpm 18.5 US gpm
Top seat RSQ240 LS	from 65 l/min to 90 l/min	17.2 US gpm 23.8 US gpm
Top seat PVG32 LS	from 85 l/min to 110 l/min	22.5 US gpm 29.1 US gpm
Dead weight (A SL4 R3X STZS3)	2700 kg	5,950 lb

Lifting capacities

max.		5500 kg / 54.0 kN	12,100 lb	A SL4
5.9 m	19 ft	3750 kg / 36.8 kN	8,300 lb	
8.4 m	27 ft	2550 kg / 25.0 kN	5,600 lb	
10.9 m	36 ft	1940 kg / 19.0 kN	4,250 lb	

max.		5350 kg / 52.5 kN	11,800 lb	B SL4
6.0 m	20 ft	3550 kg / 34.8 kN	7,800 lb	
8.5 m	28 ft	2400 kg / 23.5 kN	5,200 lb	
11.0 m	36 ft	1780 kg / 17.5 kN	3,900 lb	
13.5 m	44 ft	1420 kg / 13.9 kN	3,150 lb	

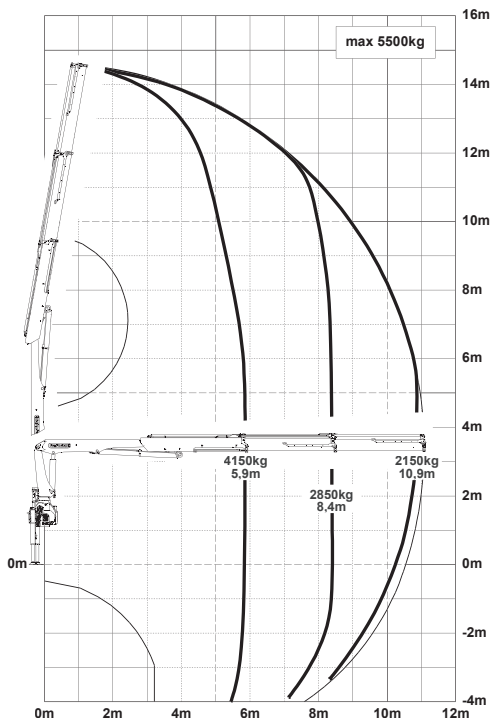
max.		5200 kg / 51.0 kN	11,500 lb	C SL4
6.0 m	20 ft	3400 kg / 33.4 kN	7,500 lb	
8.5 m	28 ft	2250 kg / 22.1 kN	4,900 lb	
11.0 m	36 ft	1620 kg / 15.9 kN	3,600 lb	
13.5 m	44 ft	1280 kg / 12.6 kN	2,800 lb	
16.0 m	53 ft	1060 kg / 10.4 kN	2,350 lb	



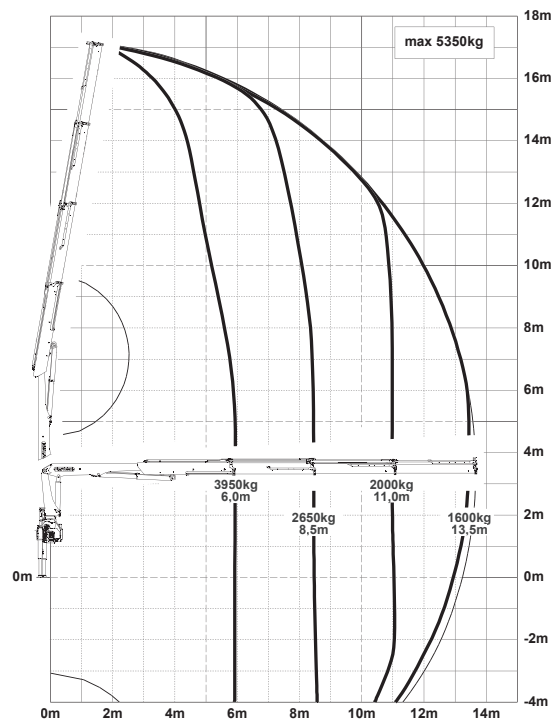
*Optional features / country-specific equipment

HIGH PERFORMANCE

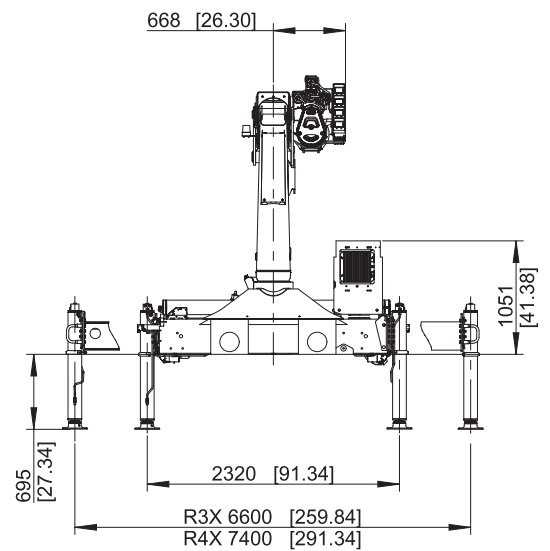
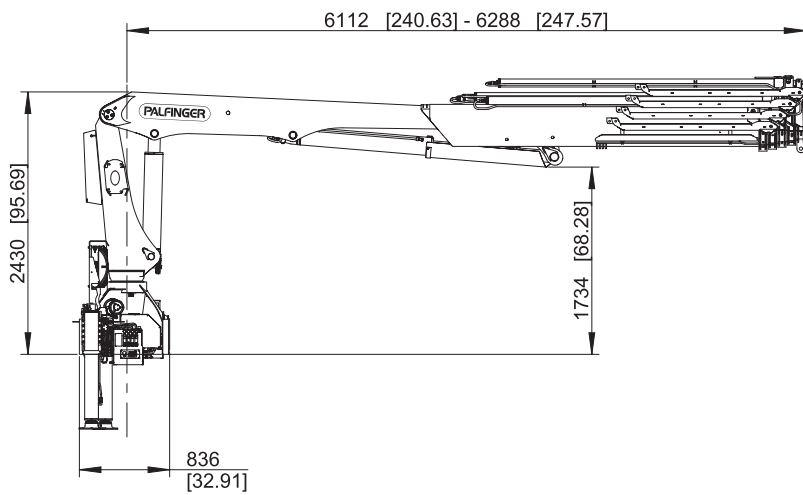
A SL4



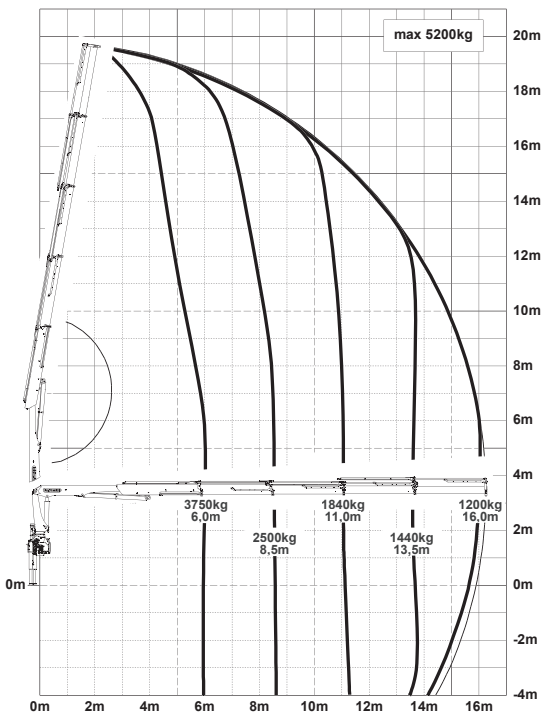
B SL4



DIMENSIONS



C SL4



Technical specifications EN 12999 HC1 HD4/S2

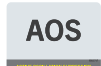
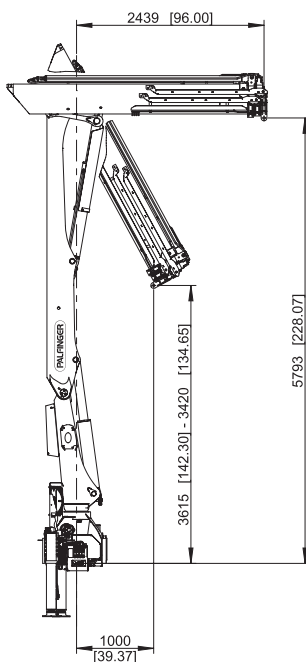
Max. lifting moment	25.3 mt / 248.1 kNm	182,920 ft.lb
Max. lifting capacity	5650 kg / 55.4 kN	12,460 lb
Max. hydraulic outreach	16.3 m	53' 4"
Slewing angle	440°	
Slewing torque	3.1 mt / 30.4 kNm	22,420 ft.lb
Stabiliser spread (std./max.)	6.6 m / 7.4 m	21' 8" / 24' 3"
Max. operating pressure	370 bar	5,365 ps
Recommended pump capacity		
Radio PVG32 LS	from 85 l/min to 110 l/min	22.5 US gpm 29.1 US gpm
Dead weight (A SL4 R3X STZS3)	2615 kg	5,770 lb

Lifting capacities

max.		5500 kg / 54.0 kN	12,100 lb	A SL4
5.9 m	19 ft	4150 kg / 40.7 kN	9,100 lb	
8.4 m	27 ft	2850 kg / 28.0 kN	6,200 lb	
10.9 m	36 ft	2150 kg / 21.1 kN	4,750 lb	

max.		5350 kg / 52.5 kN	11,800 lb	B SL4
6.0 m	20 ft	3950 kg / 38.7 kN	8,700 lb	
8.5 m	28 ft	2650 kg / 26.0 kN	5,900 lb	
11.0 m	36 ft	2000 kg / 19.6 kN	4,400 lb	
13.5 m	44 ft	1600 kg / 15.7 kN	3,550 lb	

max.		5200 kg / 51.0 kN	11,500 lb	C SL4
6.0 m	20 ft	3800 kg / 37.3 kN	8,300 lb	
8.5 m	28 ft	2500 kg / 24.5 kN	5,500 lb	
11.0 m	36 ft	1840 kg / 18.1 kN	4,050 lb	
13.5 m	44 ft	1460 kg / 14.3 kN	3,200 lb	
16.0 m	53 ft	1220 kg / 12.0 kN	2,650 lb	



*Optional features / country-specific equipment



KP-HPKLRANGEM3+EN

Cranes shown in the leaflet are partially optional equipped and do not always correspond to the standard version. Country-specific regulations must be observed. Dimensions may vary. Subject to technical changes, errors and translation mistakes.