

PK 27002 SH

**FUNCTIONAL DESIGN.
PROTECTION FOR SENSITIVE
COMPONENTS ENHANCES
APPEARANCE AND VALUE
RETENTION.**

LIFETIME EXCELLENCE



LIFETIME EXCELLENCE

PALFINGER loader cranes are convincing due to their superior life-cycle performance. They are the most economical and also the most reliable over the entire product life. From solution finding to resale.

- **Better solutions**
- **Better efficiency**
- **Better ergonomics**
- **Higher availability**
- **More reliability**
- **Better ecology**
- **Higher serviceability**
- **Higher value retention**



OPERATOR COMFORT REACHES NEW HEIGHTS

- More efficient and faster due to continuous slewing system
- Additional applications due to Power Link Plus
- Increased operating times due to low-maintenance extension system
- Higher payloads due to intelligent lightweight design
- More comfort and safety due to Soft Stop





PERFECT TOOL WITH SOPHISTICATED KINEMATICS

12 Highlights



Continuous slewing system

Unrestricted movement

More efficient in operation due to faster loading cycles, since the crane can be slewed over a shorter distance. The crane works more efficiently and faster.



Power Link Plus

High variety of uses

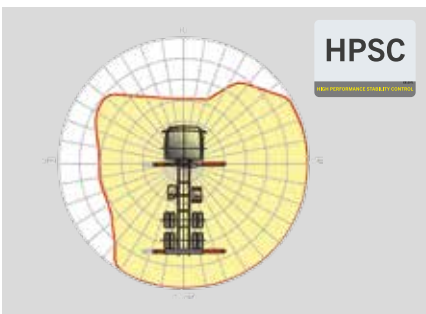
With the 15-degree reverse linkage system, you can reach through low door openings and also work inside buildings. Heavy crane work – even in difficult conditions.



Low-maintenance extension system

Reduces service time

With sliding elements made of synthetic material and the high-quality KTL coating, this boom system significantly simplifies service performed by the operator. This saves time and money – and protects the environment.



HPSC

Maximum utilisation of the working range

The variable stabiliser positioning of the High Performance Stability Control System makes it possible to utilise the lifting capacity to the maximum. It enables working within tight spaces.



S-HPLS

More lifting power when it is really needed

S-HPLS is one of the most important functions of the PALTRONIC 150. It is a fully automatic system for increasing the lifting power. Depending on the need, there is continuous adaptation of the lifting power and speed of the crane.



PALcom P7

Communication with the operator

The new PALcom P7 features a modern, ergonomic design. The centrally located knob „PALdrive“ and a large colour display enables easy and safe operation.



Power Link cable winch

More comfort in cable winch operation

Characterised by low installation height, it is ideal for working inside buildings and transports with the crane boom unfolded. The Comfort Cable Routing reduces set-up times to a minimum.



Functional design

Practical and attractive

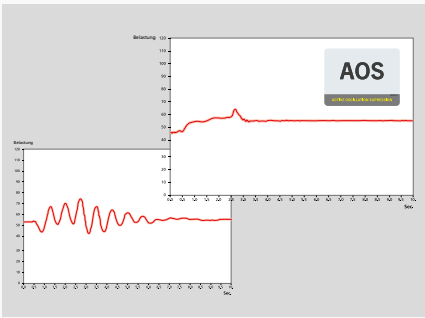
Robust plastic covers protect crane parts against dirt and damage. Better appearance and increased operational comfort – during the entire lifetime.



Coating technology

Top quality surface protection at a glance

The KTL coating lays the foundation for a perfect surface protection. Afterwards the components are either coated in the powder-coating facility or are finished with a two-components-topcoat. High value retention and excellent corrosion protection for the whole life of a crane.



AOS

Maximum precision and safety

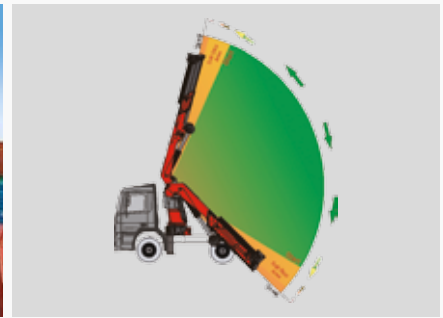
The active oscillation suppression system prevents „post-oscillation“ in the event of rapid braking or load changes. The stress peaks on the extension boom system are reduced and material fatigue and wear are minimised. This increases the resale value.



DPS Plus

More efficient fly-jib operation

The Dual Power System allows multiple uses of the crane both for large outreaches as well as for heavy load operation.



Soft Stop function

More comfort and safety

The Soft Stop function is an electronic limit position damper. It causes gentle braking of all crane movements before the limit position is reached. Hence, jerky movements and load impacts can be avoided. The crane can be operated more gently and precisely.



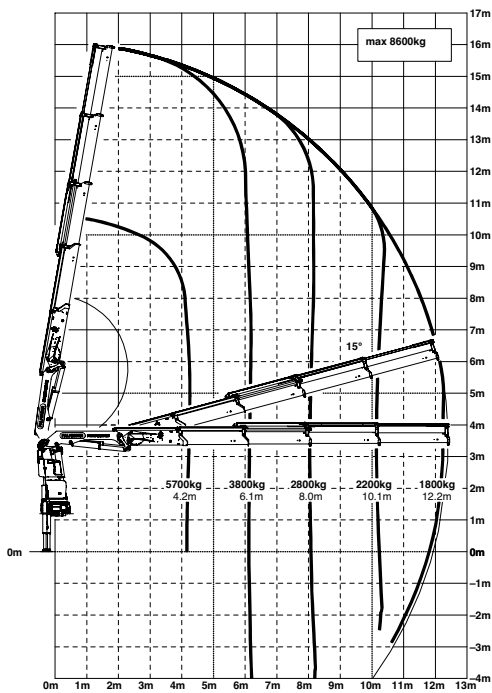
* Optional features / country-specific equipment

PK 27002 SH

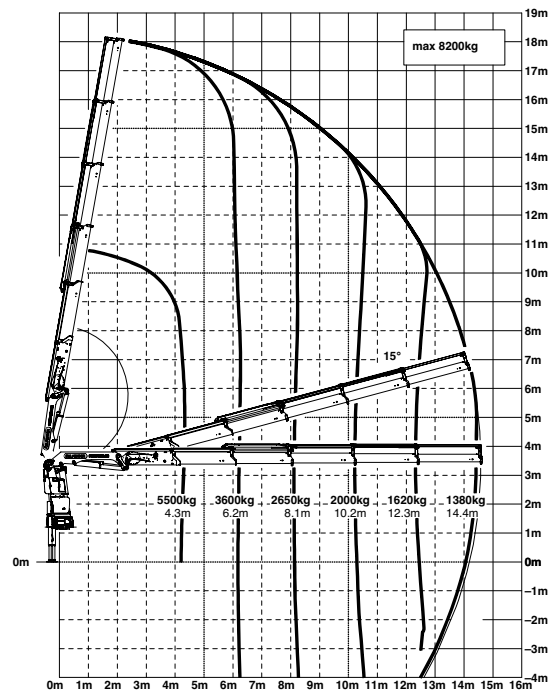
HIGH PERFORMANCE

More lifting power when it is really needed.

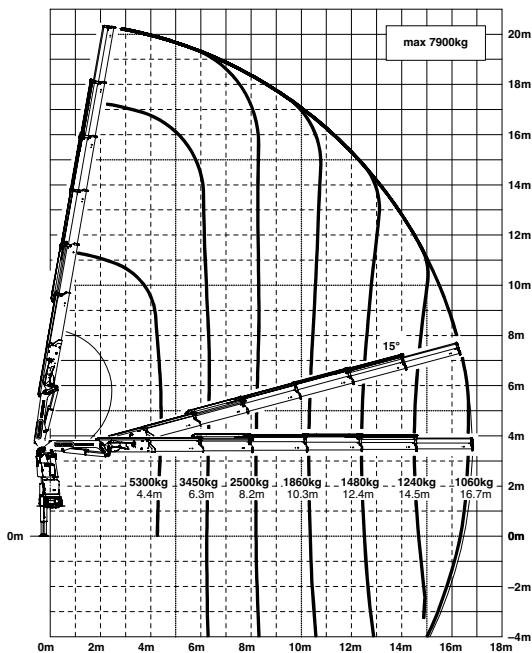
C



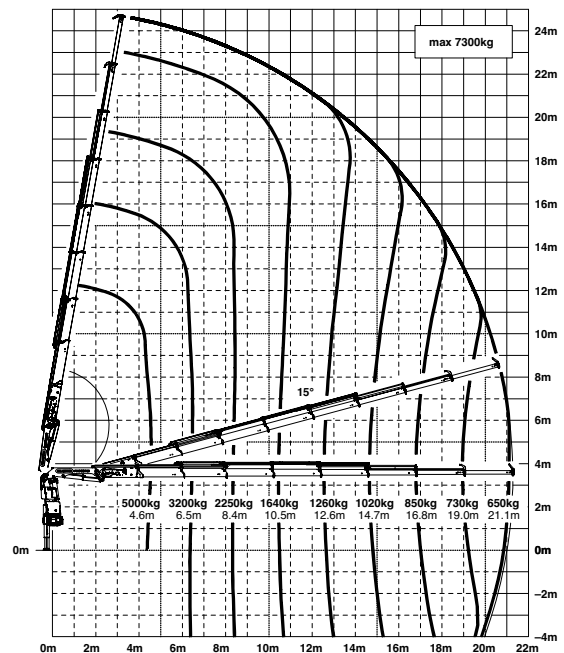
D



E



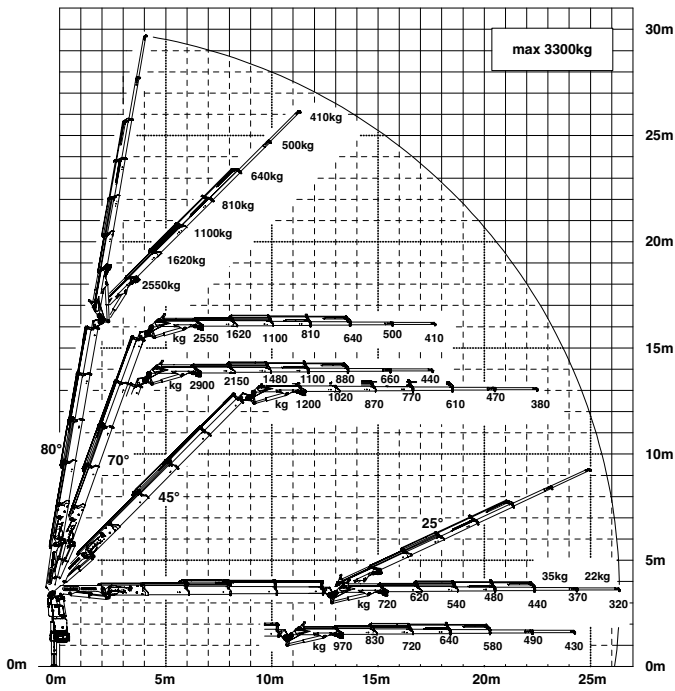
G



The outreaches stated are with a boom angle of 20° and are therefore not the maximum.

Lifting power

C PJ080C JV2 DPS PLUS



max.		9300 kg	20500 lbs	A
4.1 m	13' 5"	6200 kg	13600 lbs	
6.0 m	19' 8"	4200 kg	9300 lbs	
7.9 m	25' 11"	3200 kg	7000 lbs	

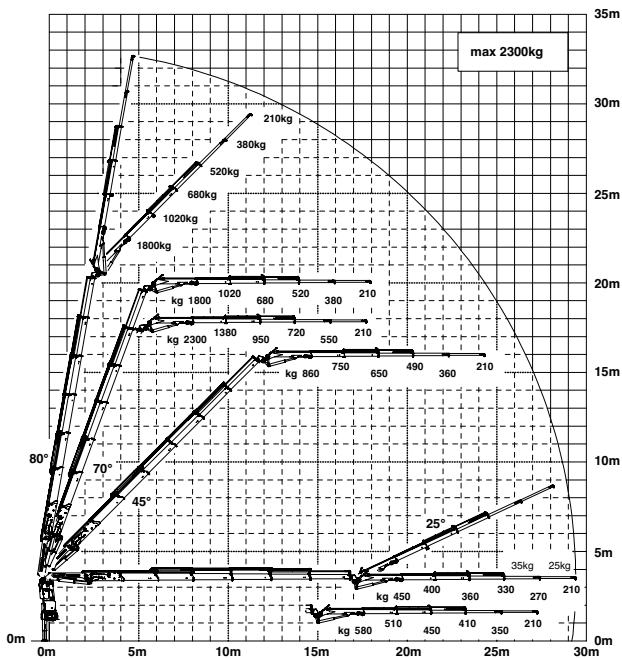
max.		8900 kg	19600 lbs	B
4.2 m	13' 9"	6000 kg	13100 lbs	
6.1 m	20' 0"	4000 kg	8800 lbs	
8.0 m	26' 3"	3000 kg	6600 lbs	
10.1 m	33' 2"	2350 kg	5200 lbs	

max.		8600 kg	18950 lbs	C
4.2 m	13' 9"	5700 kg	13600 lbs	
6.1 m	20' 0"	3800 kg	8400 lbs	
8.0 m	26' 3"	2800 kg	6200 lbs	
10.1 m	33' 2"	2200 kg	4800 lbs	
12.2 m	40' 0"	1800 kg	3950 lbs	
14.4 m*	47' 3"	1460 kg	3200 lbs	
16.6 m*	54' 6"	1180 kg	2600 lbs	

max.		8200 kg	18070 lbs	D
4.3 m	14' 1"	5500 kg	12100 lbs	
6.2 m	20' 4"	3600 kg	8000 lbs	
8.1 m	26' 7"	2650 kg	5800 lbs	
10.2 m	33' 6"	2000 kg	4450 lbs	
12.3 m	40' 4"	1620 kg	3600 lbs	
14.4 m	47' 3"	1380 kg	3050 lbs	
16.7 m*	54' 9"	1120 kg	2450 lbs	
18.8 m*	61' 8"	930 kg	2050 lbs	

max.		7900 kg	17400 lbs	E
4.4 m	14' 5"	5300 kg	11600 lbs	
6.3 m	20' 8"	3450 kg	7600 lbs	
8.2 m	26' 11"	2500 kg	5500 lbs	
10.3 m	33' 10"	1860 kg	4100 lbs	
12.4 m	40' 8"	1480 kg	3250 lbs	
14.5 m	47' 7"	1240 kg	2700 lbs	
16.7 m	54' 9"	1060 kg	2350 lbs	
18.8 m*	61' 8"	880 kg	1940 lbs	
21.0 m*	68' 11"	740 kg	1640 lbs	

E PJ060B JV2 DPS PLUS



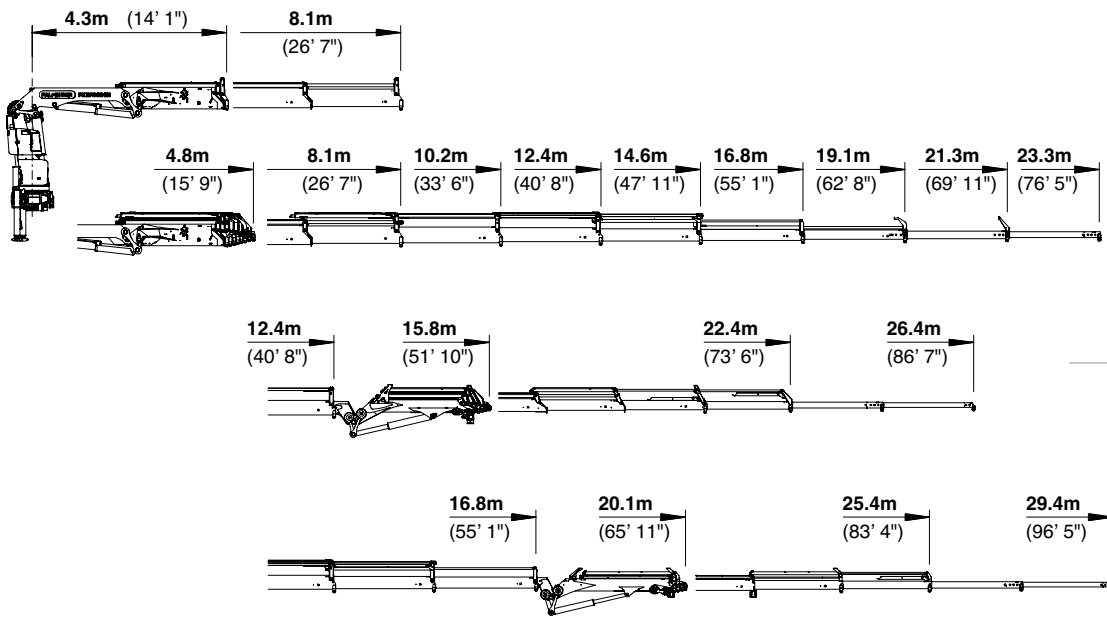
max.		7600 kg	16750 lbs	F
4.5 m	14' 9"	5100 kg	11300 lbs	
6.4 m	20' 12"	3300 kg	7300 lbs	
8.3 m	27' 3"	2350 kg	5200 lbs	
10.4 m	34' 1"	1760 kg	3850 lbs	
12.5 m	41' 0"	1380 kg	3000 lbs	
14.6 m	47' 11"	1120 kg	2500 lbs	
16.7 m	54' 9"	950 kg	2100 lbs	
18.9 m	62' 0"	830 kg	1840 lbs	
21.1 m	69' 3"	700 kg	1560 lbs	
23.1 m	75' 9"	570 kg	1260 lbs	

max.		7300 kg	16090 lbs	G
4.6 m	15' 1"	4900 kg	10900 lbs	
6.5 m	21' 4"	3200 kg	7000 lbs	
8.4 m	27' 7"	2250 kg	5000 lbs	
10.5 m	34' 5"	1640 kg	3600 lbs	
12.6 m	41' 4"	1260 kg	2800 lbs	
14.7 m	48' 3"	1020 kg	2250 lbs	
16.8 m	55' 1"	850 kg	1860 lbs	
19.0 m	62' 4"	730 kg	1600 lbs	
21.1 m	69' 3"	650 kg	1420 lbs	
23.1 m*	75' 9"	560 kg	1240 lbs	

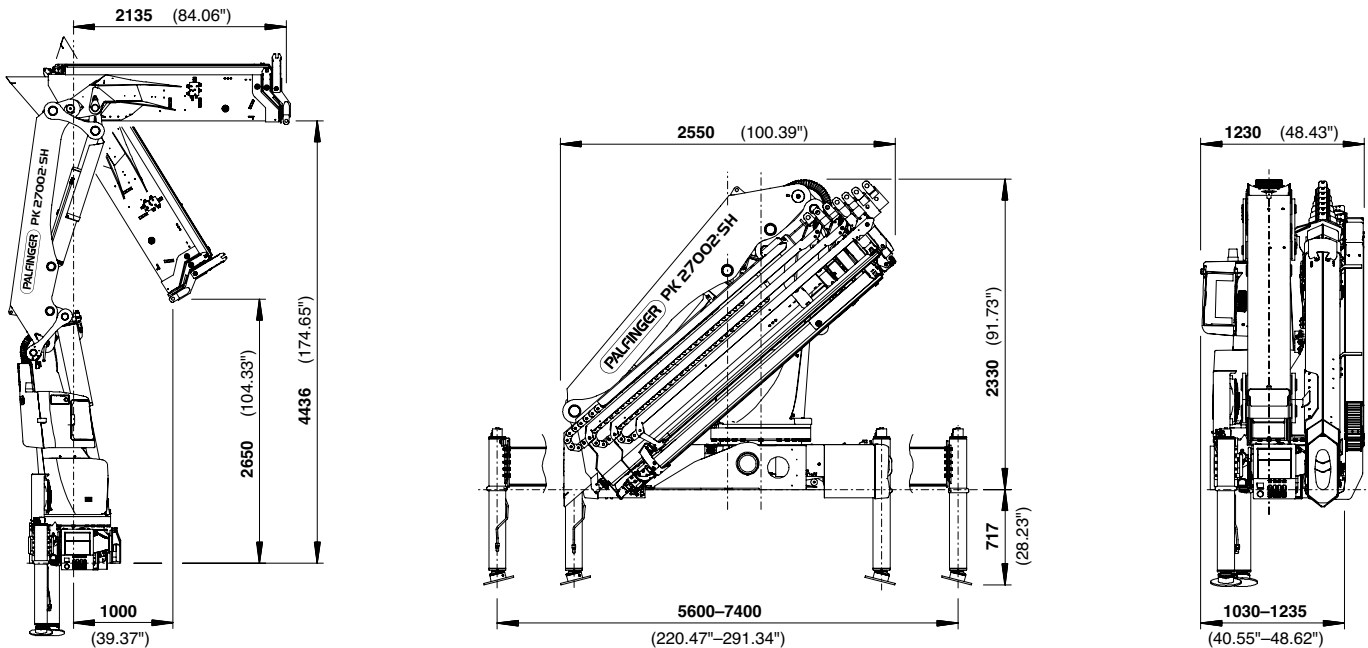
*mechanical extension

PERFECT DIMENSIONS

EXTENSION BOOM VARIATIONS



DIMENSIONS



Technical specifications

EN 12999 HC1 HD5/B3

PK 27002 SH

Max. lifting moment	26.0 mt/255.0 kNm	188060 ft.lbs
Max. lifting capacity	9300 kg/91.2 kN	20500 lbs
Max. hydraulic outreach	21.3 m	69' 11"
Max. manual outreach	23.3 m	76' 5"
Max. outreach (with fly-jib)	29.4 m	96' 5"
Slewing angle	endless	

C PJ080C JV2

Slewing torque with 1 gear	2.8 mt/27.5 kNm	20260 ft. lbs
Slewing torque with 2 gears	3.4 mt/33.4 kNm	24600 ft. lbs
Stabiliser spread	std. 5.6 m/18' 4"	max 7.4 m/24' 3"
Fitting space required (std.)	1.01 m	3' 4"
Width folded	2.55 m	8' 4"

E PJ060B JV2

Max. operating pressure	365 bar	5293 psi
Recommended pump capacity	from 80 l/min to 110 l/min	21.1 US gal./min 29.1 US gal./min
Dead weight (std.)	2679 kg	5910 lbs



KP-HPK27002SM2+EN

Cranes shown in the leaflet are partially optional equipped and do not always correspond to the standard version. Country-specific regulations must be observed. Dimensions may vary. Subject to technical changes, errors and translation mistakes.