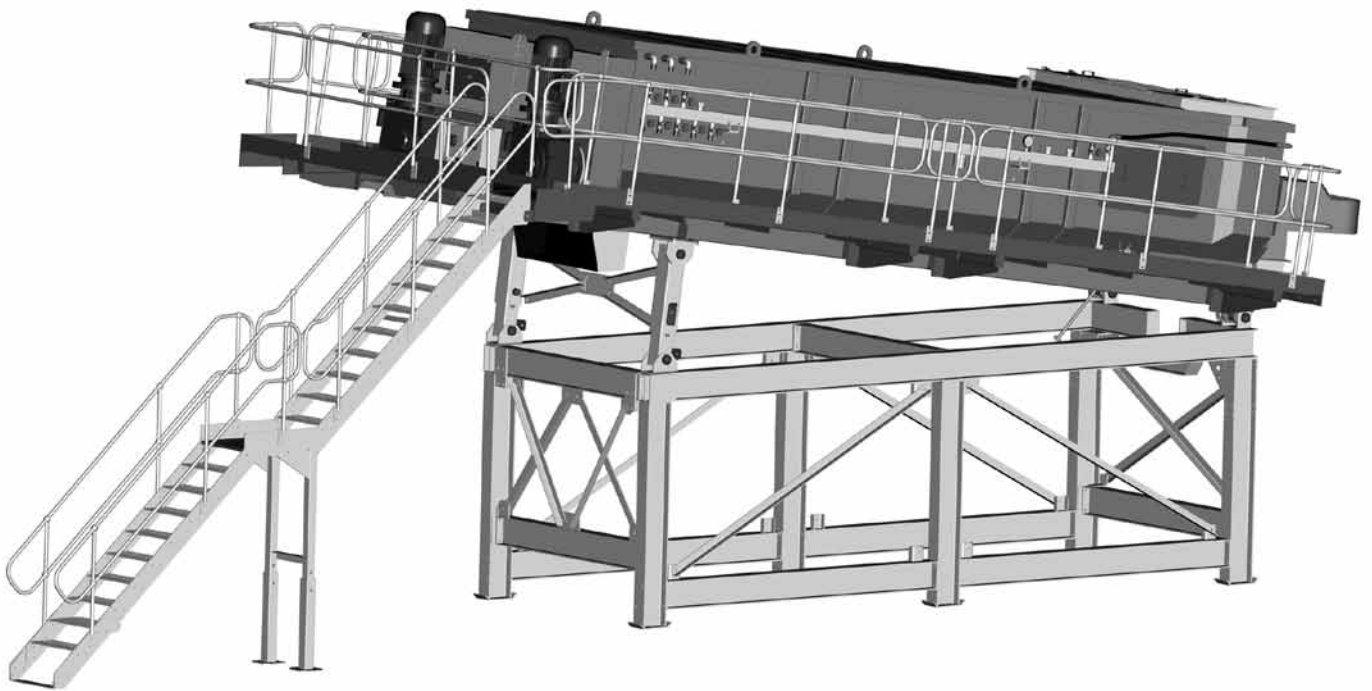


PS 200R / PS 200



FEATURES

- Designed to produce cleaner material at a faster rate
- Specifically designed to work in the recycling industry, its versatility and design enables it to be easily adapted to work in gravel applications
- Consists of a trough and two spiral axes running counter to one another with exchangeable blades which intensively mix the feed material
- Water used in this process is recirculated to a water treatment facility

FEATURES AND BENEFITS

- Two high output planetary drive gearboxes, directly driving two interlinked counter-rotating axles, which perform the scrubbing action
- Interchangeable high tensile blades
- The material forms a bed in the hull, preventing wear in the steel trough
- The lower bearings are fresh water flushed to prevent wear or damage from small particles
- The machines are fitted with an elevated spray bar system, which constantly adds water to the material. This washes the material and encourages lighter particles to float through the water exit
- Full length walkway and steps, fitted around 2 sides of the machine, for ease of access and to view production
- 4 lifting points firmly attached to the sides of the hull for carriage when required
- Large inlet chute with bolt in breaker bar and rubber lining
- Rubber lined catchboxes and outlet chutes
- Versatility and design enables it to be easily adapted to work in gravel applications
- Hull designed to reduce material build up in the trough
- Low water consumption
- Remote greasing to all bearings
- Heavy-duty robust construction ideal for rugged operating environments
- High capacity throughput, typically up to 200mtph
- Freshwater inlet 4" nipple

SPECIFIC TO 200R

- A built in agitation system excites lighter particles, causing them to float and in turn discharge via the adjustable water exits on the water discharge side
- Optional dewatering screens can be fitted to either end of the machine
- Specifically designed to work in recycling applications to separate contaminants from saleable material
- 12x5 dewatering screen removes excess water from material before final screening
- 6x2 dewatering screen separates lighter particles from the material on which it is floating

SPECIFICATIONS

PS 200

WORKING LENGTH (INCL WALKWAY)	16.8m (55' 2")
WORKING WIDTH (INCL WALKWAY)	4.7m (15' 5")
WORKING HEIGHT	5.9m (19' 4")
FEED HEIGHT	5.5m (18')
PRODUCT DISCHARGE HEIGHT (6X2)	1.9m (6' 2")
PRODUCT DISCHARGE HEIGHT (12X5)	2m (6' 5")

PS 200R

WORKING LENGTH (INCL WALKWAY)	15.6m (51' 2")
WORKING WIDTH (INCL WALKWAY)	3.8m (12' 4")
WORKING HEIGHT	5.4m (17' 8")
FEED HEIGHT	5.4m (17' 8")
PRODUCT DISCHARGE HEIGHT	3.2m (10' 4")
WASTE WATER DISCHARGE HEIGHT	2.7m (8' 8")

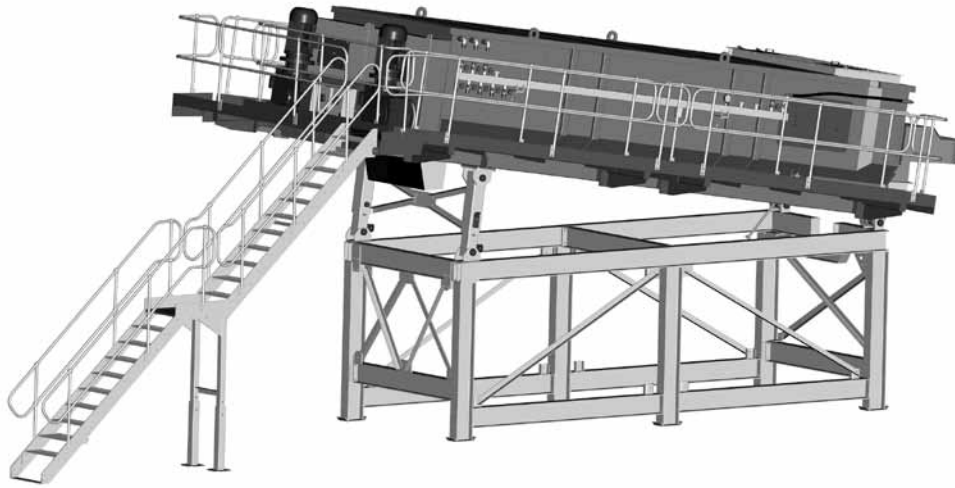
OPTIONS

- Custom height galvanized structure
- Electric control panel
- Standard logwasher on skid frame

APPLICATIONS

- Gravel
- Crushed material
- Recycled / demolition material
- Most kinds of material that needs washed/scrubbed
- Iron ore





HULL

Two high output electrical motors driving two counter rotating axes, which perform the scrubbing action

Interchangeable high tensile blades

Fresh water flushed bearings to prevent wear or damage

Elevated spray bars

Built in agitation system

4 lifting points firmly attached to the sides of the hull for carriage when required

Inspection hatches at inlet to clear debris

Flowforge to provide a safe working environment

FRAME

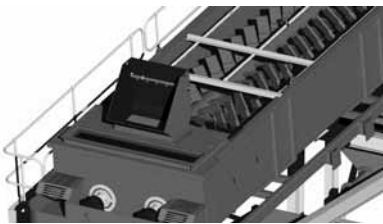
Galvanized sections for extended maintenance-free service

Bolt together construction for ease of transport

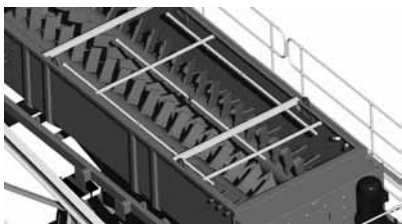
Heavy duty steel construction

Easy access to serviceable areas

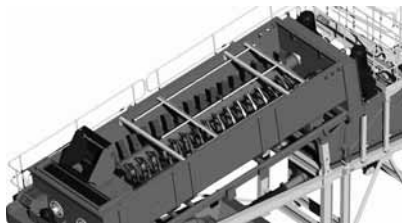
Full length walkway and steps, which can be fitted on either side of the machine, for ease of access and to view production



Chute to slow and split the feed-in material



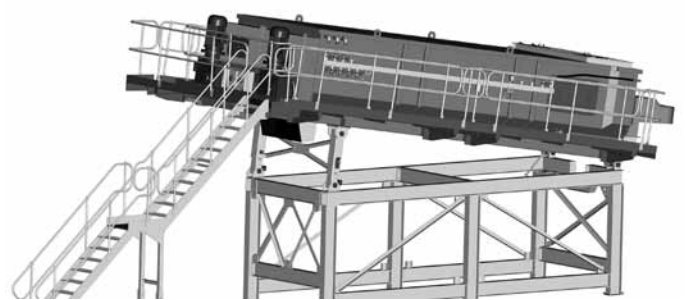
Side mounted water injection system



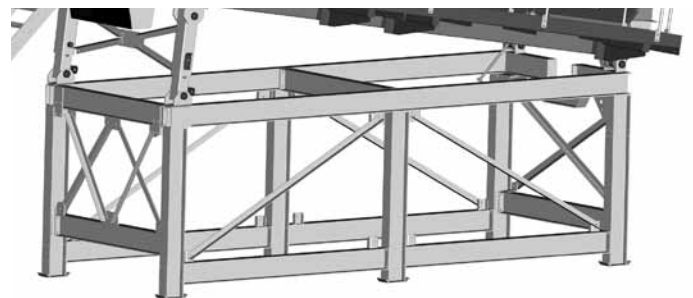
Spiral axes with high tensile and quickly replaceable blades



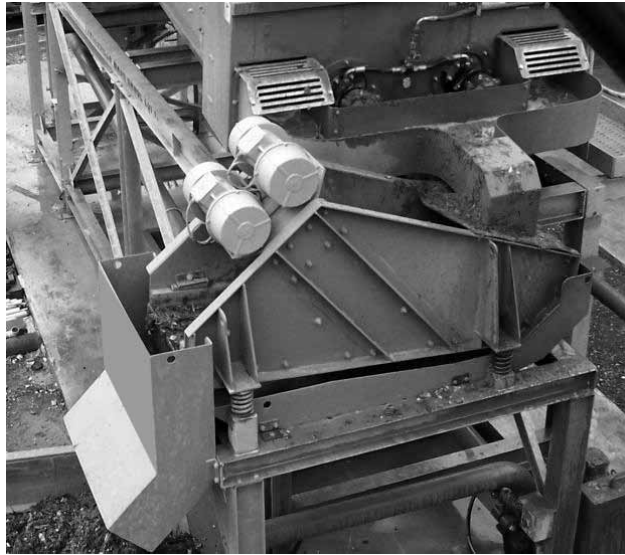
Hull with integrated lifting points



Full length walkway and steps, on 2 sides of machine.



Galvanized bolt-up structure



TRASH SCREEN

Size 1.8m x 0.6m (6' x 2')

Vibratory motors 1kW (1.34hp) (2off) 960 rpm

Screen aperture 3mm, 2mm & 1mm screens

Exceptional dewatering performance

Modular screen decks

Side protection liners

Plastic lined discharge chute



Flume system for transfer from hull to screen



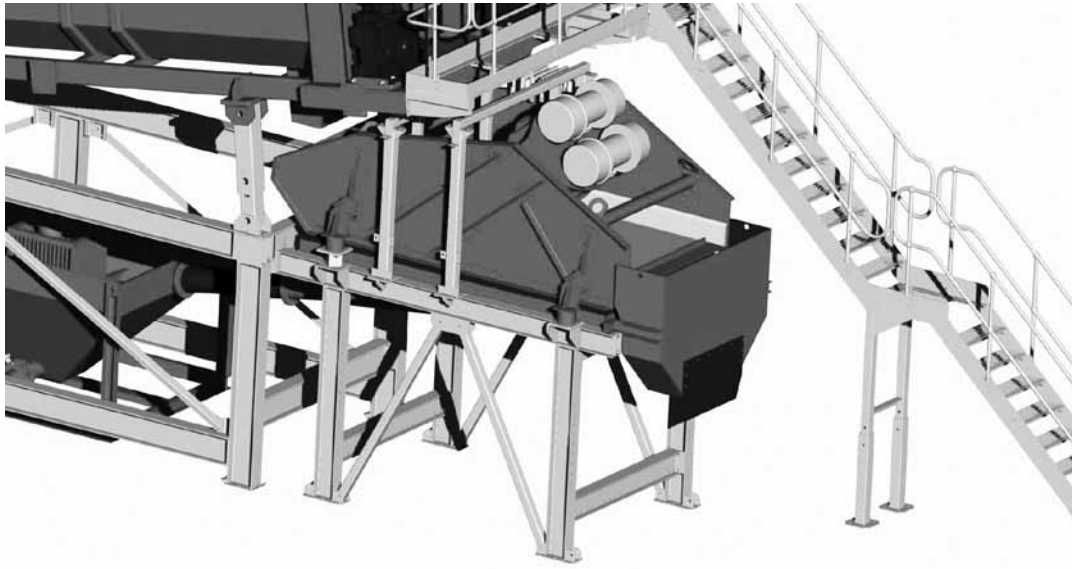
Sloped back panel and modular screen decks



Low noise vibrating motor



Plastic lined chute



AGGREGATE SCREEN

Size 3.7m x 1.2m (12' x 5')

Vibratory motors 4kW (5.5hp) (2off) 960 rpm

Screen aperture 0.5mm discharge side

Exceptional dewatering performance

Modular screen decks

Side protection liners

Marsh mellow screen mounts for smoother running

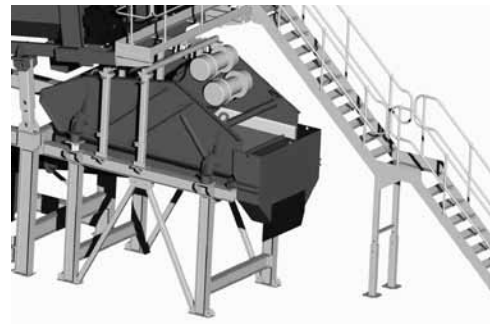
Plastic lined discharge chute



Low noise vibrating motor



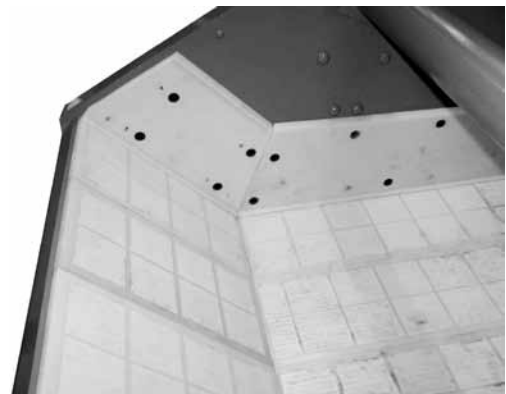
High efficiency rubber screen mount for minimal vibration



Plastic lined chute



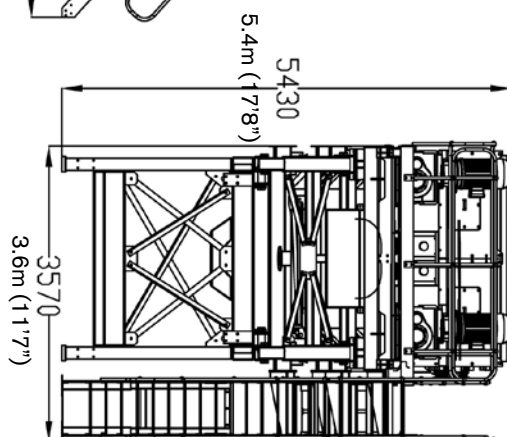
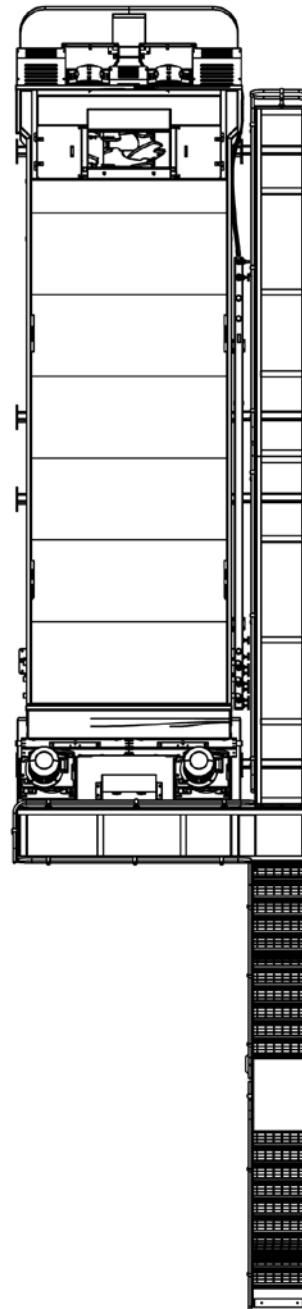
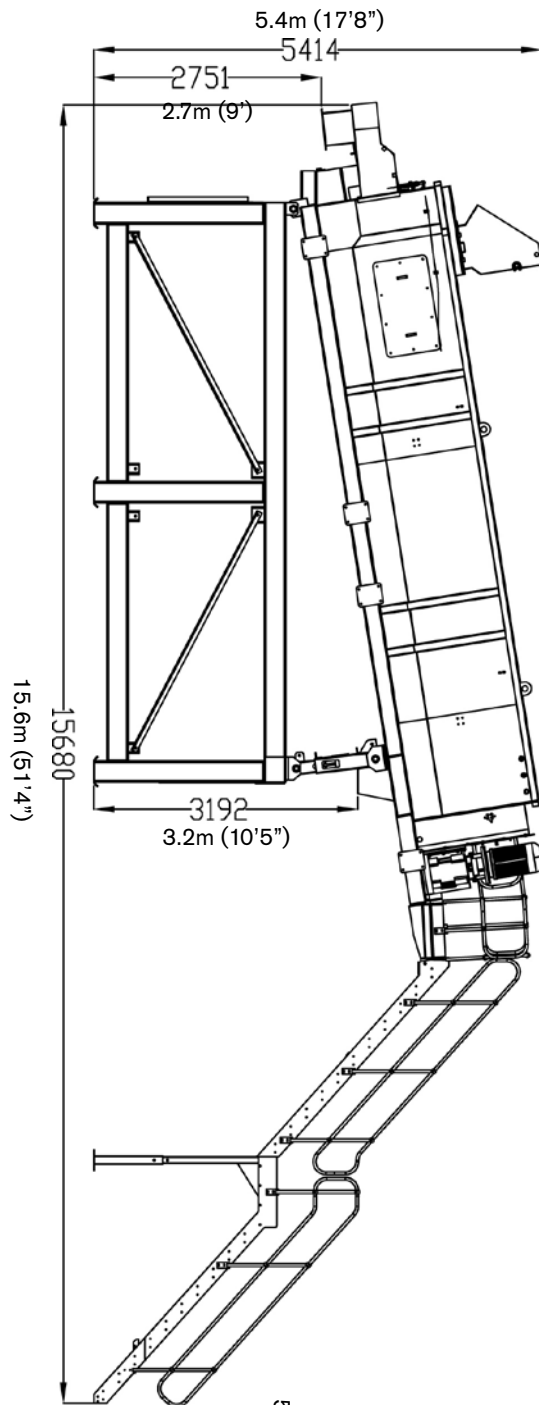
Modular screen decks and side protection liners



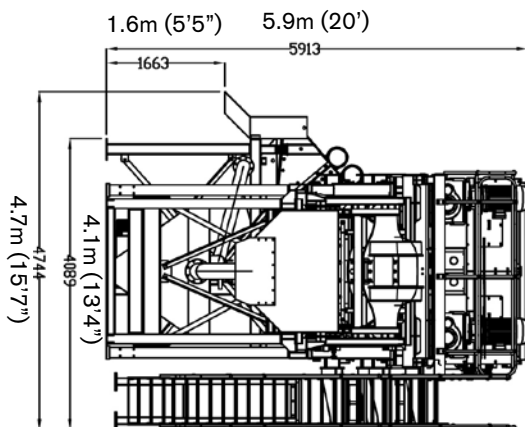
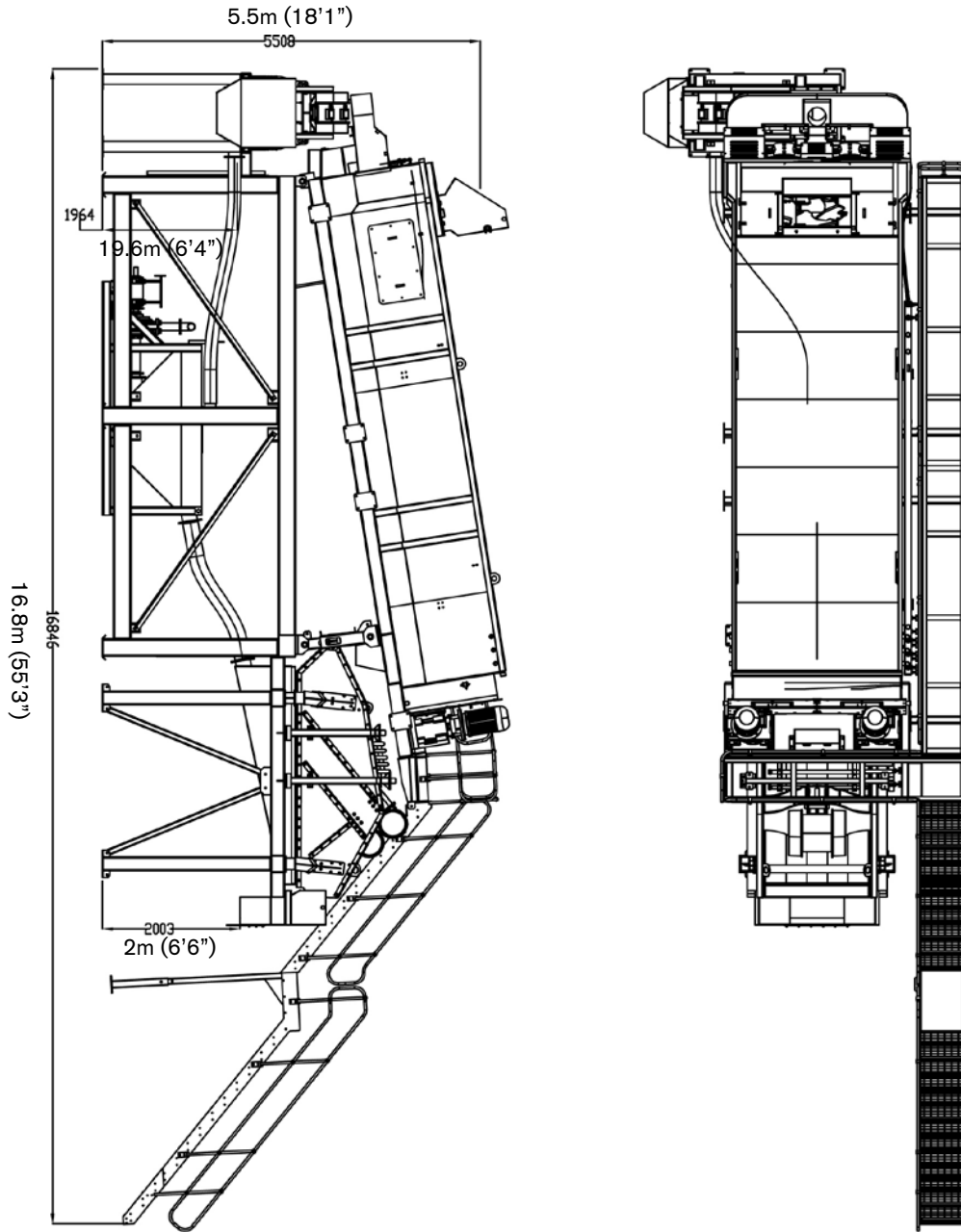
Sloped back panel for maximum water removal

DIMENSIONS

PS 200 - WORKING DIMENSIONS



PS 200R - WORKING DIMENSIONS



TEREX WASHING SYSTEMS CONTACT DETAILS

Dungannon Site

200 Coalisland Road
Dungannon
Co. Tyrone,
Northern Ireland
BT71 4DR

Tel: +44(0) 28 8771 8500

Email: TWS.sales@terex.com

www.terex.com/washing

YouTube

Check out Terex Washing Systems videos
on YouTube: www.youtube.com/terexwashingsystems

f

www.facebook.com/TerexCorporation



Effective Date: July 2012 Product specifications and prices are subject to change without notice or obligation. The photographs and/or drawings in this document are for illustrative purposes only. Refer to the appropriate Operator's Manual for instructions on the proper use of this equipment. Failure to follow the appropriate Operator's Manual when using our equipment or to otherwise act irresponsibly may result in serious injury or death. The only warranty applicable to our equipment is the standard written warranty applicable to the particular product and sale and Terex makes no other warranty, express or implied. Products and services listed may be trademarks, service marks, or trade names of Terex Corporation and/or its subsidiaries in the USA and other countries. All rights are reserved. Terex is a registered trademark of Terex Corporation in the USA and many other countries. © 2010 Terex Corporation.



WORKS FOR YOU.™