

# DW RANGE



## FEATURES

- High frequency vibrating dewatering screen complete with polyurethane decks
- Robust stressed relieved frame
- Fitted with high efficiency outer balance vibrating motor
- Supported on heavy duty long life oscillating mounting

## FEATURES AND BENEFITS

- The screen incorporates a 45° sloping back deck section, fitted with slotted apertures across the direction of flow.
- The main deck of the screen slopes upwards at 5° vibration is produced by two exciter motors operating at 980rpm
- Dewatering screen, catchbox and chutes combined onto a single frame
- Exceptional dewatering performance
- Modular screen decks
- Side protection liners
- Rubber lined discharge chute
- Removes water following dewatering operation to 10–15% of residual water content
- Major reduction in saleable material discharging to the pond, thus reducing pond maintenance and saving money
- Heavy-duty robust construction ideal for rugged operating environment
- Low maintenance
- All wear areas rubber lined - optional
- Quick assembly time
- Breaks down into one 20' (6m) container

## APPLICATIONS

- All forms of concrete, mortar and asphalt sands
- Quarry dust / crushed fines
- Lake and beach sands
- Silica sand for glass industry
- Golf course sands
- Filter bed sands
- Recycled materials
- Iron ore
- Most materials which need to be washed

## OPTIONS

- Galvanised structure
- Steel support structure
- Catchbox
- Underflow Slurry Pump

## SPECIFICATIONS

### DW 064

<b>SCREEN SIZE</b>	1.8m x 1.2m (6' x 4')
<b>VIBRATORY MOTORS</b>	2.3kW (3hp) (2off) 960rpm
<b>SCREEN APERTURE</b>	0.5mm (0.02")
<b>OVERALL LENGTH</b>	2.9m (9' 5")
<b>OVERALL WIDTH</b>	1.8m (5' 9")
<b>OVERALL HEIGHT</b>	3.3m (10' 8")
<b>CAPACITY</b>	40tph (44tn us) Course Sand 30tph (33tn us) Fine Sand

### DW 084

<b>SCREEN SIZE</b>	2.4m x 1.2m (8'x4')
<b>VIBRATORY MOTORS</b>	3kW (4hp)(2off) 960rpm
<b>SCREEN APERTURE</b>	0.5mm (0.02")
<b>OVERALL LENGTH</b>	2.5m (8' 2")
<b>OVERALL WIDTH</b>	2.1m (6' 9")
<b>OVERALL HEIGHT</b>	2.5m (8' 2")
<b>CAPACITY</b>	60tph (66tn us) Course Sand 40tph (44tn us) Fine Sand

### DW 125

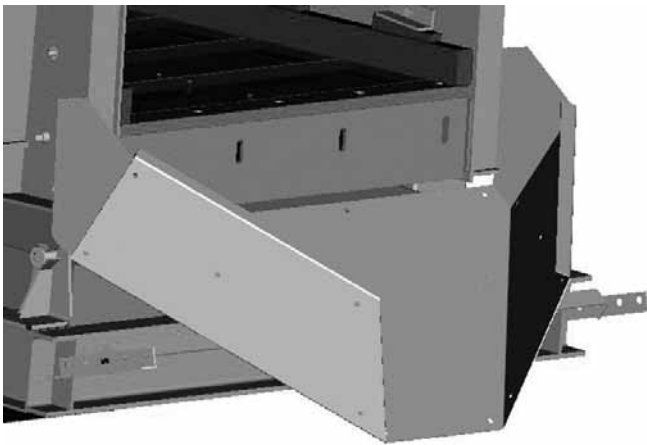
<b>SCREEN SIZE</b>	3.7m x 1.5m (12' x 5')
<b>VIBRATORY MOTORS</b>	4kW (5.5hp)(2off) 960rpm
<b>SCREEN APERTURE</b>	0.5mm (0.02")
<b>OVERALL LENGTH</b>	4.3m (14' 1")
<b>OVERALL WIDTH</b>	3.0m (9' 8")
<b>OVERALL HEIGHT</b>	(121tn us)
<b>CAPACITY</b>	110tph (121tn us) Course Sand 80tph (88tn us) Fine Sand

### DW 146

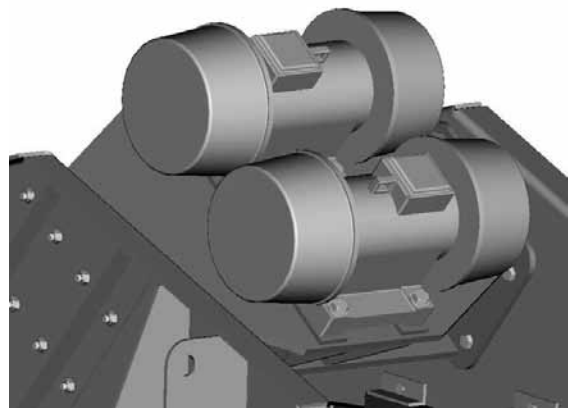
<b>SCREEN SIZE</b>	4.3m x 1.8m (14' x 6')
<b>VIBRATORY MOTORS</b>	6kW (8hp)(2off) 960rpm
<b>SCREEN APERTURE</b>	0.5mm (0.02")
<b>OVERALL LENGTH</b>	5.4m (17' 7")
<b>OVERALL WIDTH</b>	2.7m (8' 9")
<b>OVERALL HEIGHT</b>	4.4m (14' 4")
<b>CAPACITY</b>	200tph (220tn us) Course Sand 140tph (154tn us) Fine Sand

## ALSO AVAILABLE IN THIS RANGE

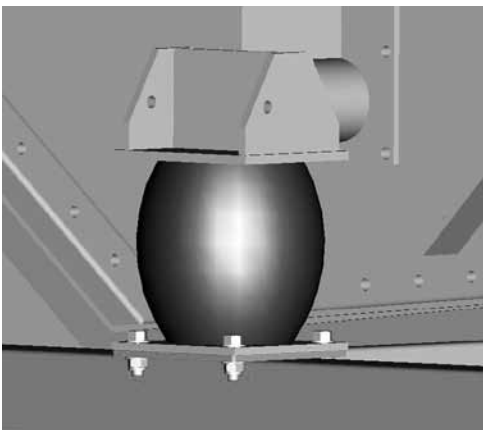
- DW 062
- DW 084 2 Deck
- DW 125 2 Deck



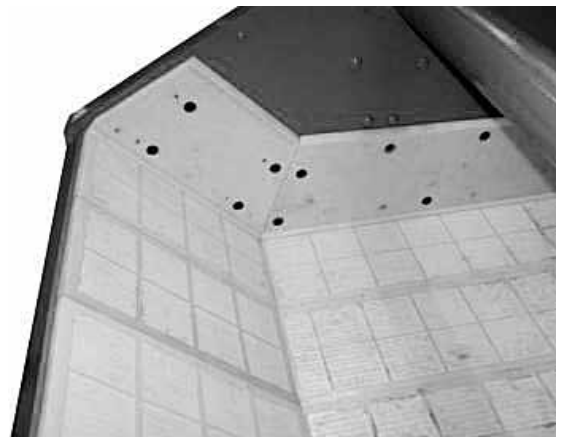
Rubber lined chute



Low noise vibrating motor



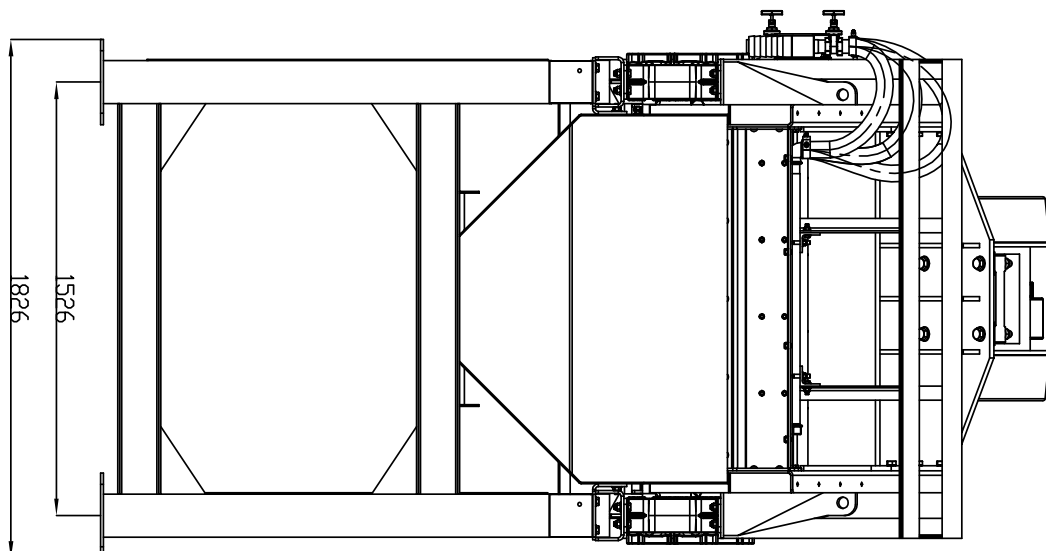
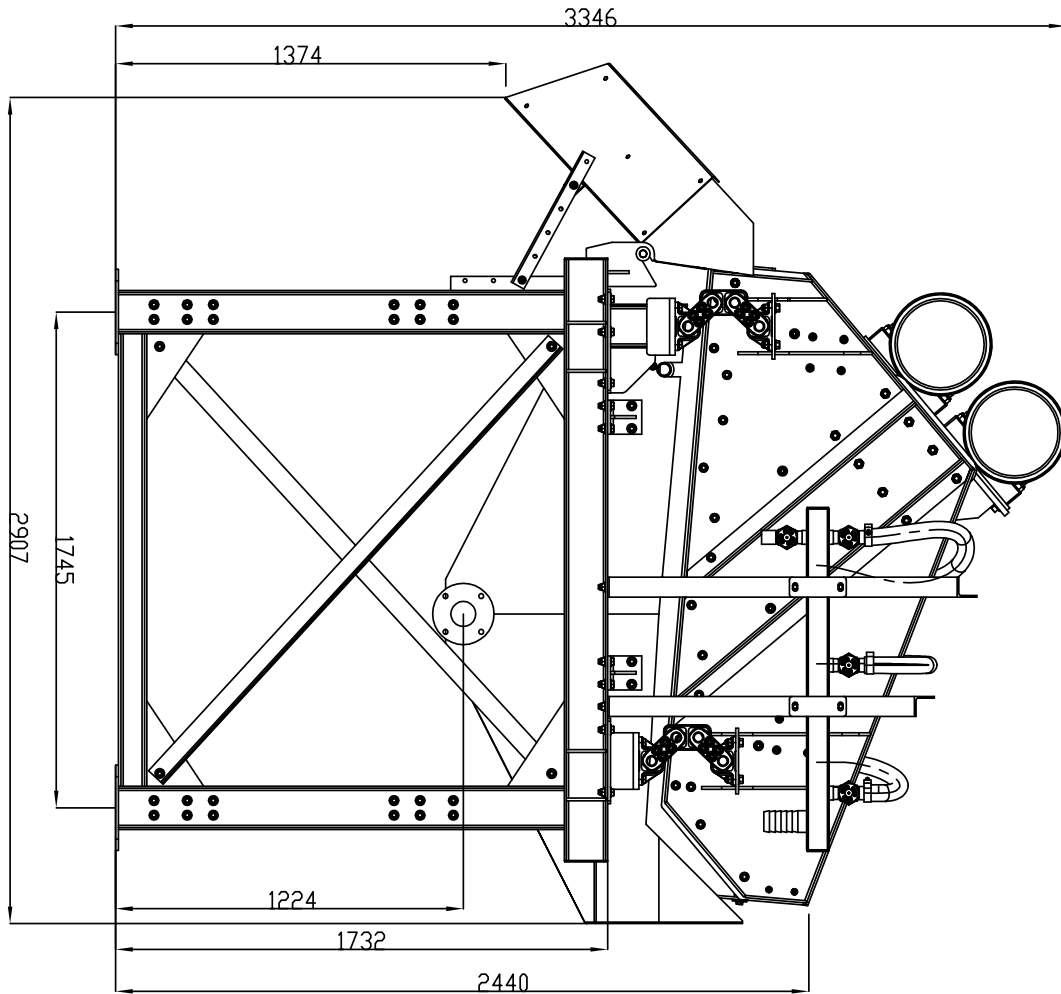
High efficiency rubber screen mount for minimal vibration



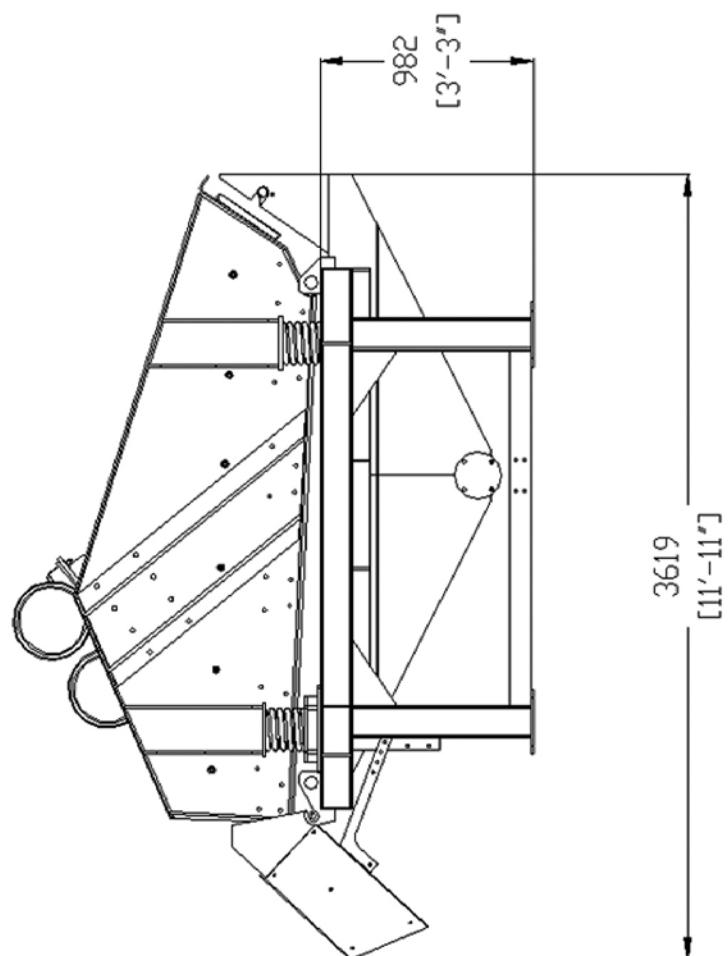
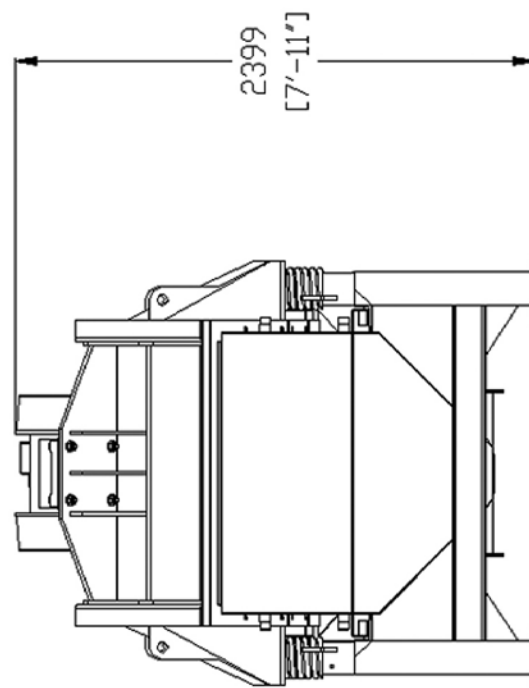
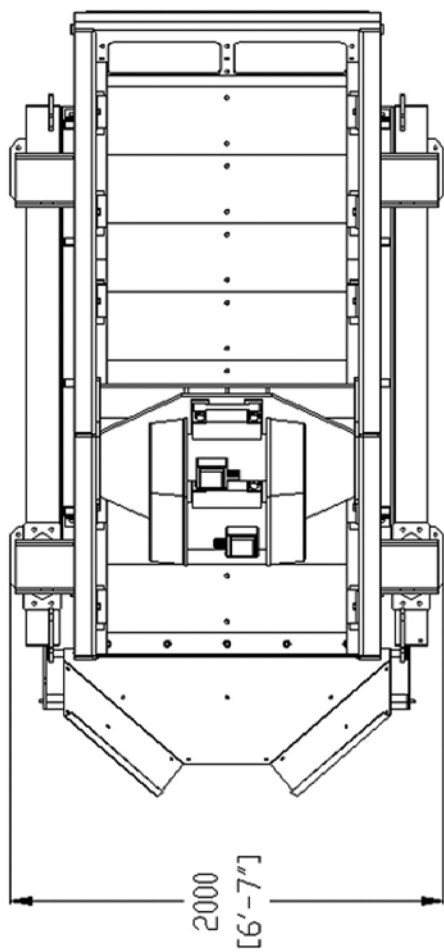
Sloped back panel for maximum water removal

# DIMENSIONS

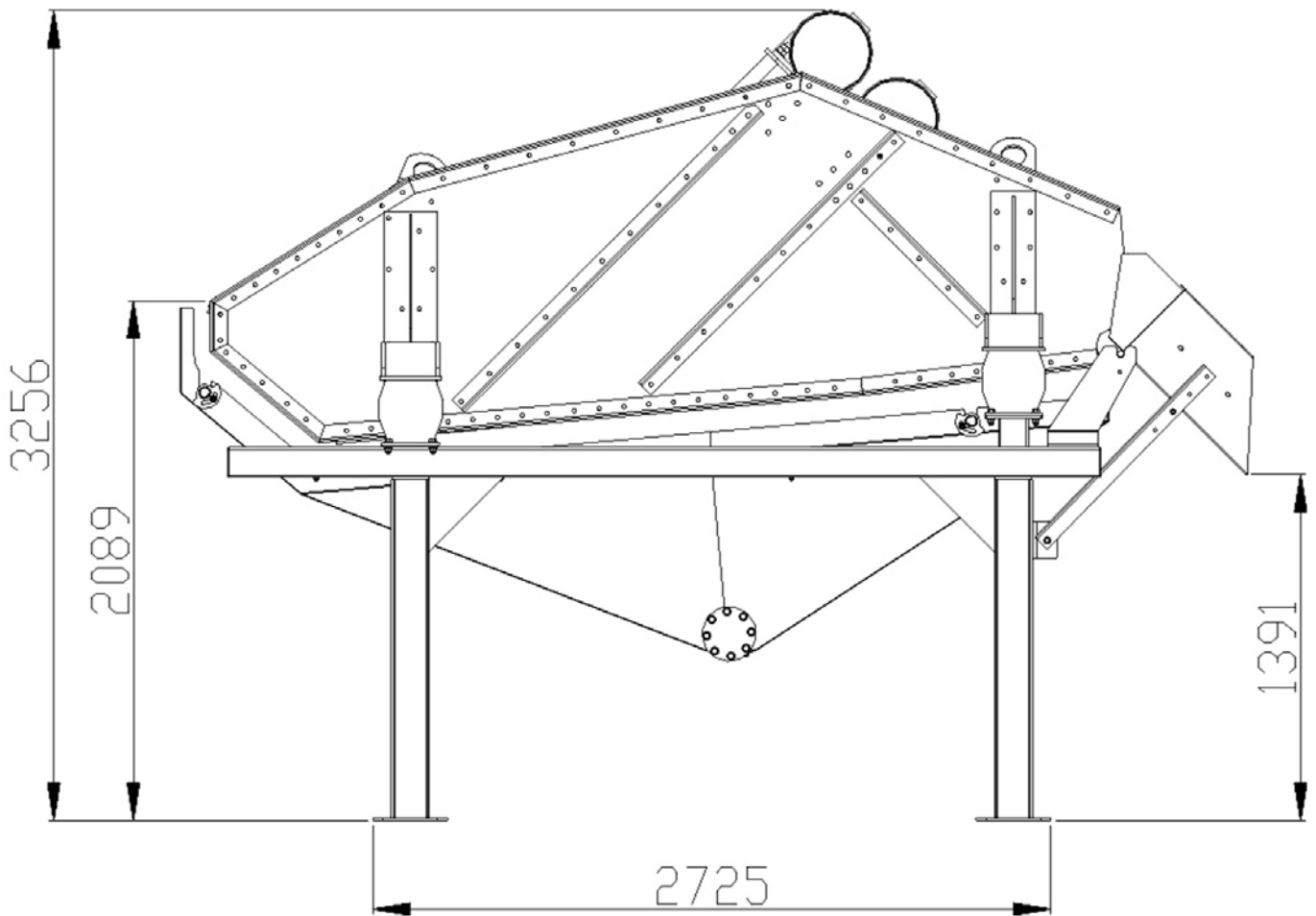
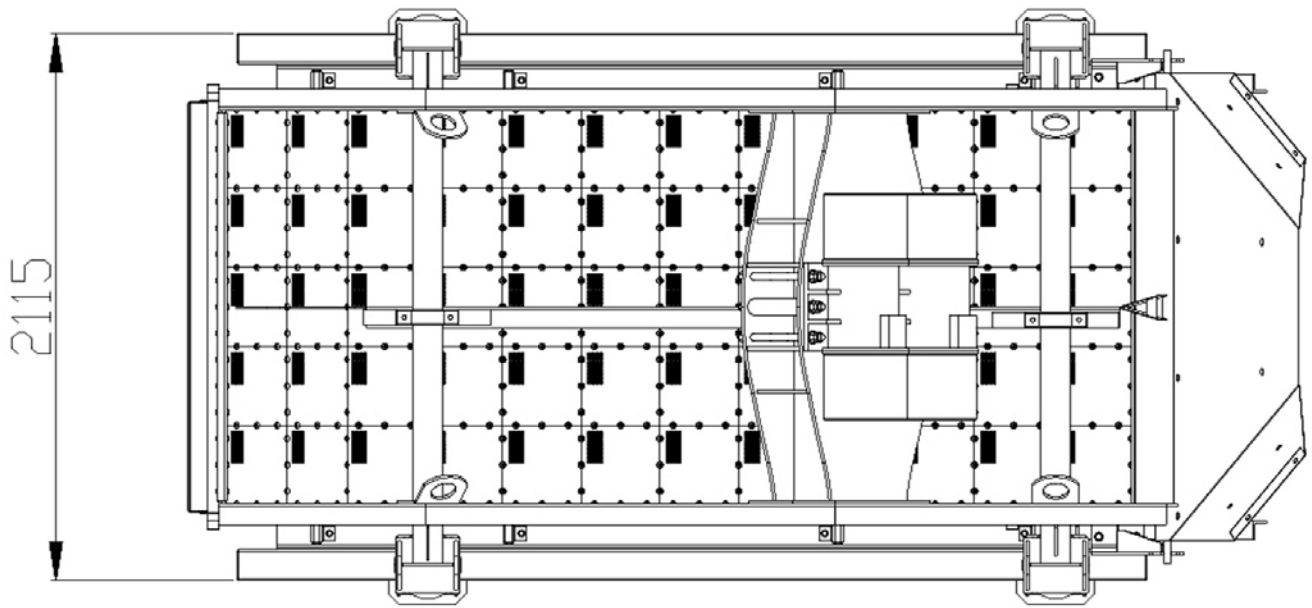
## DW 064 - WORKING DIMENSIONS



# DW 084 - WORKING DIMENSIONS



## DW 125 - WORKING DIMENSIONS



## TEREX WASHING SYSTEMS CONTACT DETAILS

### Dungannon Site

200 Coalisland Road  
Dungannon  
Co. Tyrone  
Northern Ireland  
BT71 4DR

Tel: +44(0) 28 8771 8500

Email: [TWS.sales@terex.com](mailto:TWS.sales@terex.com)

[www.terex.com/washing](http://www.terex.com/washing)

You  Tube

Check out Terex Washing Systems videos  
on YouTube: [www.youtube.com/terexwashingsystems](http://www.youtube.com/terexwashingsystems)



[www.facebook.com/TerexCorporation](http://www.facebook.com/TerexCorporation)



Effective Date: July 2012 Product specifications and prices are subject to change without notice or obligation. The photographs and/or drawings in this document are for illustrative purposes only. Refer to the appropriate Operator's Manual for instructions on the proper use of this equipment. Failure to follow the appropriate Operator's Manual when using our equipment or to otherwise act irresponsibly may result in serious injury or death. The only warranty applicable to our equipment is the standard written warranty applicable to the particular product and sale and Terex makes no other warranty, express or implied. Products and services listed may be trademarks, service marks, or trade names of Terex Corporation and/or its subsidiaries in the USA and other countries. All rights are reserved. Terex is a registered trademark of Terex Corporation in the USA and many other countries. © 2010 Terex Corporation.



**TEREX**®

**WORKS FOR YOU.™**