

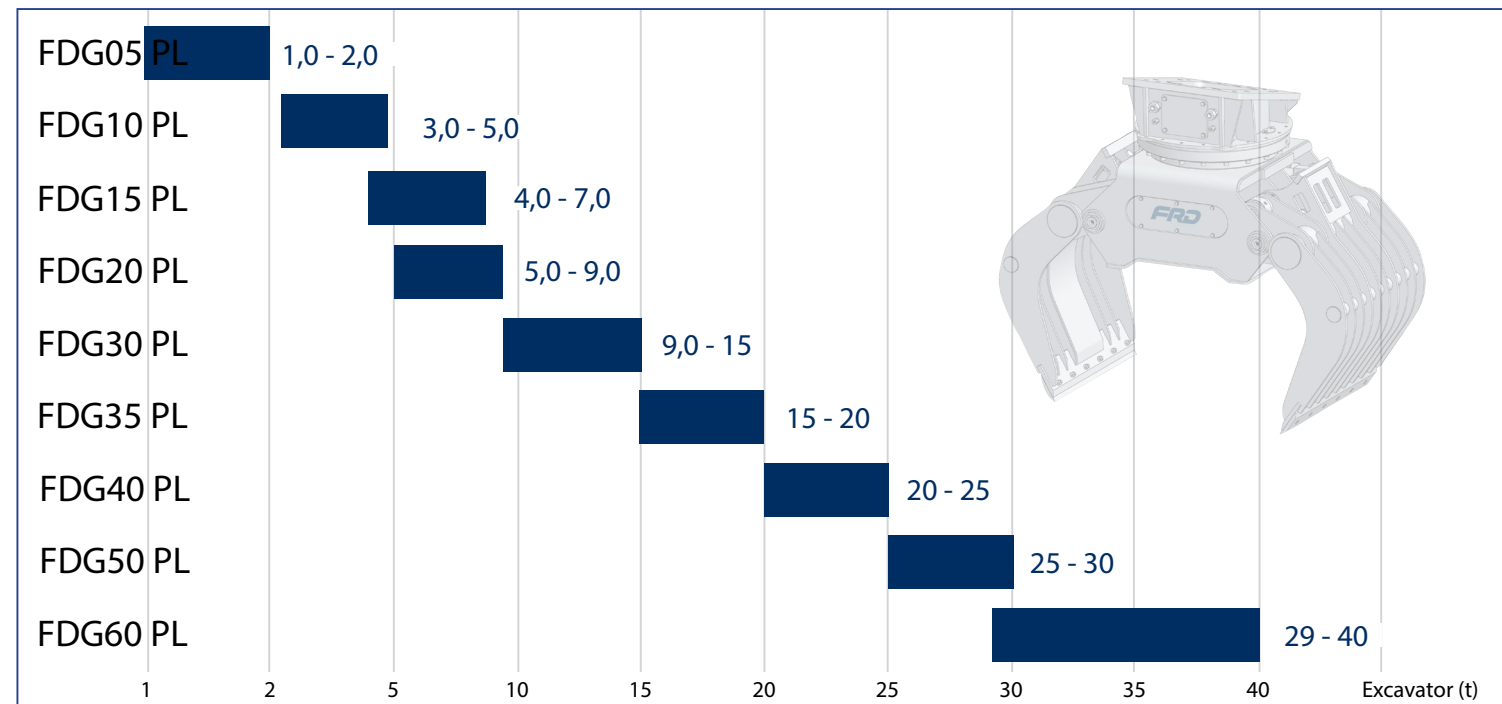
SCRAP SHEAR



WHERE EXPERIENCE COUNTS

DEMOLITION AND SORTING GRAB

EXCAVATOR - FDG SERIES -



FDG SERIES

DEMOLITION AND SORTING GRAB

FRD DEMOLITION AND SORTING GRAB - FDG SERIES -

Diverse usable grab for various applications and handling of various materials such as:

- Demolition / demolition sorting
- Sorting of construction waste
- Loading and sorting of recycled material

| | | FDG05-PL | FDG10-PL | FDG15-PL | FDG20-PL | FDG30-PL | FDG35-PL | FDG40-PL | FDG50-PL | FDG60-PL |
|--------------------------------|-------|----------|----------|----------|----------|----------|----------|----------|----------|----------|
| Weight without adapter plate | kg | 140 | 220 | 380 | 510 | 940 | 1080 | 1540 | 1785 | 2220 |
| Capacity | l | 45 | 80 | 130 | 200 | 370 | 370 | 650 | 760 | 925 |
| Loading capacity-grab max. | t | 1 | 1 | 1,5 | 2 | 4 | 4 | 6 | 6 | 8 |
| Rotation motor max. | t | 5 | 5 | 5 | 10 | 15 | 15 | 20 | 20 | 30 |
| Dimension A | mm | 700 | 820 | 930 | 1075 | 1205 | 1420 | 1595 | 1765 | 1800 |
| Dimension B | mm | 760 | 720 | 775 | 950 | 1070 | 1285 | 1445 | 1490 | 1600 |
| Dimension C | mm | 640 | 660 | 825 | 940 | 1170 | 1175 | 1415 | 1450 | 1530 |
| Dimension D | mm | 1000 | 1105 | 1390 | 1630 | 1925 | 1925 | 2250 | 2450 | 2500 |
| Width E | mm | 360 | 400 | 500 | 600 | 800 | 800 | 900 | 1000 | 1230 |
| Closing force max. | kN | 19 | 17 | 23 | 33 | 51 | 59 | 60 | 75 | 75 |
| Working pressure grab max. | bar | 250 | 250 | 320 | 300 | 300 | 350 | 350 | 350 | 350 |
| Oil flow grab max. | l/min | 22 | 22 | 32 | 40 | 60 | 60 | 62 | 90 | 112 |
| Working pressure rotation max. | bar | 250 | 250 | 250 | 250 | 250 | 120 | 140 | 140 | 140 |
| Oil flow rotation max. | l/min | 20 | 20 | 20 | 28 | 48 | 30 | 30 | 30 | 30 |
| Excavator | t | 1-2 | 3 - 5 | 4 - 7 | 5 - 9 | 9 - 15 | 15 - 20 | 20 - 25 | 25 - 30 | 29 - 40 |

Specifications may change without prior notice by the manufacturer.

SMALL SERIES

FDG05-PL FDG10-PL FDG15-PL FDG20-PL FDG30-PL

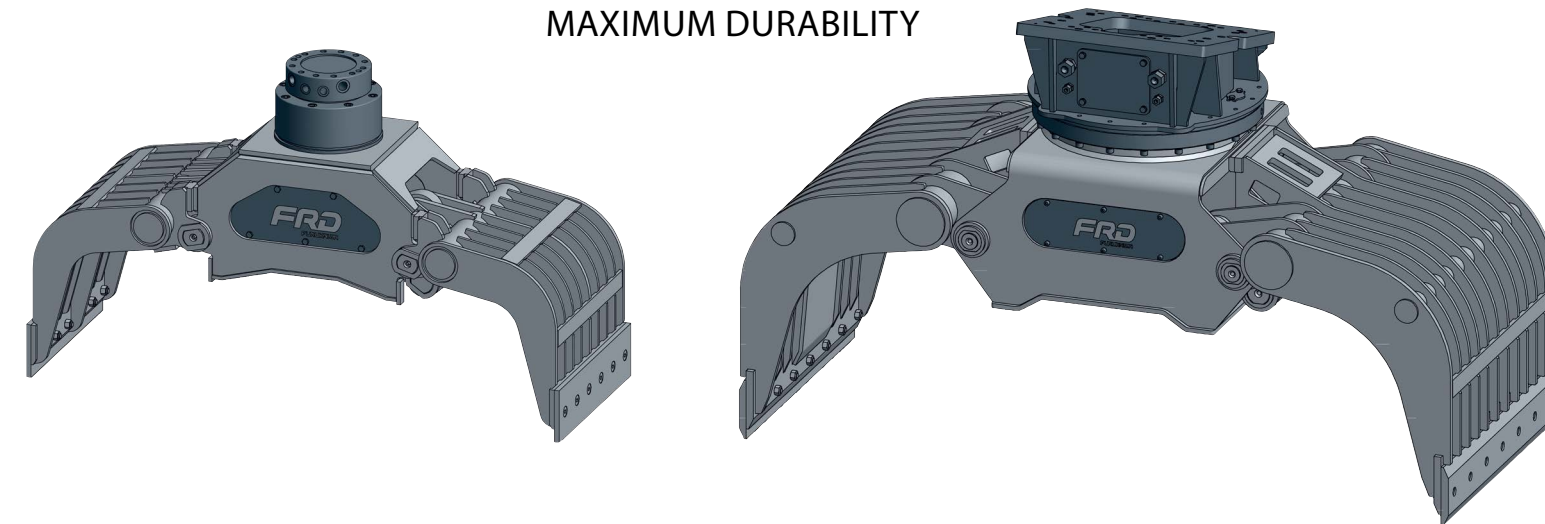
- Compact hydraulic rotator unit with heavy duty axial and radial bearings.
- Flat compact design
- A box frame protects the hydraulic cylinders and synchronizing links.
- The cylinders include a limit damper
- From FDG10-PL: load-holding valves on the cylinders prevent accidental opening of the grab
- Mechanical stop for opening and closing
- Shells made of high strength steel (400 HB)
- Bolted exchangeable cutting blades made of high strength steel (400 HB)
- Grabs available in a swinging version

LARGE SERIES

FDG35-PL FDG40-PL FDG50-PL FDG60-PL

- Hydraulic rotation with high load-bearing axial and radial bearings with circle drive.
- Flat compact design
- A box frame protects the hydraulic cylinders and synchronizing links.
- The cylinders include a limit damper
- Load holding valves on the cylinders prevent accidental opening of the grab
- Mechanical stop for opening and closing
- Shells made of high strength steel (400 HB)
- Bolted exchangeable cutting blades made of high strength steel (400 HB)
- Grabs available in a swinging version

MAXIMUM DURABILITY





Furukawa Rockdrill Europe BV
Proostwetering 29
3543 AB Utrecht, The Netherlands
Phone +31-(0)30-2412277
Fax +31-(0)30-2412305
www.frd.eu



WHERE EXPERIENCE COUNTS